

# User manual

# Bruksanvisning

# Brugsanvisning

# Käyttöopas

---



---

IM 5341L RF - IM 5341 LV

EN - DA - SV - NO -FI

01M-9208993600-5122-01

01M-9209003600-5122-01

**Cylinda**  
en enklare vardag



# CONTENTS

---

<b>ENGLISH</b>	<b>03-22</b>
<b>DANSK</b>	<b>23-43</b>
<b>SVENSKA</b>	<b>44-62</b>
<b>NORSK</b>	<b>63-82</b>
<b>SUOMI</b>	<b>83-104</b>

## Please read this manual first!

Dear Customer,

Thank you for selecting a Cylinda product. We hope that you get the best results from your product which has been manufactured with high quality and state-of-the-art technology. Therefore, please read this entire user manual and all other accompanying documents carefully before using the product and keep it as a reference for future use. If you handover the product to someone else, give the user manual as well. Follow all warnings and information in the user manual.

Remember that this user manual may also apply to other models. Differences between models are explicitly described in the manual.

## Meanings of the symbols

Following symbols are used in the various section of this user manual:



Important information and useful hints about usage.



Warnings for dangerous situations concerning the safety of life and property.



Warning for electric shock.



Warning for hot surfaces.

# 1 Important safety and environmental instructions

## Important Safety Instructions Read Carefully And Keep For Future Reference

### 1.1 Safety warnings

This section contains safety instructions that will help protect from risk of fire, electric shock, exposure to leak microwave energy, personal injury or property damage. Failure to follow these instructions shall void any warranty.

- Cylinda Microwave Ovens comply with the applicable safety standards; therefore, in case of any damage on the appliance or power cable, it should be repaired or replaced by the dealer, service center or a specialist and authorized service alike to avoid any danger. Faulty or unqualified repair work may be dangerous and cause risk to the user.
- This appliance is intended to be used in household and similar applications such as:
  - Staff kitchen areas in shops, offices and other working environments;
  - Farm houses
  - By clients in hotels, and other residential type environments;
  - Bed and Breakfast type environments.
- It is not intended for industrial or laboratory use.
- Do not attempt to start the oven when its door is open; otherwise you may be exposed to harmful microwave energy. Safety locks should not be disabled or tampered with.
- The microwave oven is

## 1 Important safety and environmental instructions

intended for heating food and beverages. Drying of food or clothing and heating of warming pads, slippers, sponges, damp cloth and similar may lead to risk of injury, ignition or fire.

- Do not place any object between the front side and the door of the oven. Do not allow dirt or cleaning agent remnants to build up on the closure surfaces.
- Any service works involving removal of the cover that provides protection against exposure to microwave energy must be performed by authorized persons/service. Any other approach is dangerous.
- Your product is intended for cooking, heating and defrost food at home. It must not be used for commercial purposes.
- Your oven is not designed to dry any living being.
- Do not use your appliance to dry clothes or kitchen towels.
- Do not use this appliance outdoors, bathrooms, humid environments or in places where the it can get wet.
- No responsibility or warranty claim shall be assumed for damages arising from misuse or improper handling of the appliance.
- Never attempt to dismantle the appliance. No warranty claims are accepted for damage caused by improper handling.
- Only use the original parts or parts recommended by the manufacturer.

## 1 Important safety and environmental instructions

- Do not leave this appliance unattended while it is in use.
- Always use the appliance on a stable, flat, clean dry, and non-slip surface.
- The appliance should not be operated with an external clock timer or separate remote control system.
- Before using the appliance for the first time, clean all parts. Please see the details given in the "Cleaning and Maintenance" section.
- Operate the appliance for its intended purpose only as described in this manual.
- Appliance becomes very hot while it is in use. Pay attention not to touch the hot parts inside the oven.
- Do not operate the oven empty.
- Cooking utensil may get hot due to the heat transferred from the heated food to the utensil. You may need oven gloves to hold the utensil.
- Utensils shall be checked to ensure that they are suitable for use in microwave ovens.
- Do not place the oven on stoves or other heat generating appliances. Otherwise, it may be damaged and the warranty becomes void.
- Steam may come out while opening the covers or the foil after cooking the food.
- The appliance and its accessible surfaces may be very hot when the appliance is in use.
- Door and outer glass may be very hot when the appliance is in use.
- Make sure that your

# 1 Important safety and environmental instructions

mains power supply complies with the information supplied on the rating plate of the appliance.

- The only way to disconnect the appliance from the power supply is to remove the power plug from the power outlet.
- Use the appliance with a grounded outlet only.
- Never use the appliance if the power cable or the appliance itself is damaged.
- Do not use this appliance with an extension cord.
- Never touch the appliance or its plug with damp or wet hands.
- Place the appliance in a way so that the plug is always accessible.
- Prevent damage to the power cable by not squeezing, bending, or rubbing it on sharp edges. Keep the power cable away from hot surfaces and naked flame.
- Make sure that there is no danger that the power cable could be accidentally pulled or that someone could trip over it when the appliance is in use.
- Unplug the appliance before each cleaning and when the appliance is not in use.
- Do not pull the power cable of the appliance to disconnect it from its power supply and never wrap its power cable around the appliance.
- Do not immerse the appliance, power cable, or power plug in water or any other liquids. Do not hold it under running water.
- When heating food in

# 1 Important safety and environmental instructions

plastic or paper containers, keep an eye on the oven due to the possibility of ignition.

- Remove the wire strings and/or metal handles of paper or plastic bags before placing bags to the oven.
- If smoke is observed, switch off or unplug the appliance if safe to do so and keep the door closed in order to stifle any flames.
- Do not use microwave oven for storage. Do not leave paper items, cooking material or food inside the oven when it is not being used.
- The contents of feeding bottles and baby food jars should be stirred or shaken and the temperature checked before consumption, in order to avoid burns.
- This appliance is a Group 2 Class B ISM equipment. Group 2 contains all ISM (Industrial, Scientific and Medical) equipment in which radio-frequency energy is intentionally generated and/or used in the form of electromagnetic radiation for the treatment of material, and spark erosion equipment.
- Class B equipment is suitable for use in domestic establishments and establishments directly connected to a low voltage power supply network.
- Do not use cooking oil in the oven. Hot oil may damage the components and materials of the oven, and it may even cause skin burns.
- Pierce food with thick crust such as potatoes,



# 1 Important safety and environmental instructions

courgettes, apples and chestnuts.

- Appliance must be placed so that the rear side is facing the wall.
- Before moving the appliance, please secure the turntable to prevent damage.
- Eggs in their shell and whole hard-boiled eggs must not be heated in microwave ovens since they may explode, even after microwave heating has ended.

**WARNING:** If the door or door seals are damaged, the oven must not be operated until it has been repaired by a competent person.

**WARNING:** It is hazardous for anyone other than a competent person to carry out any service or repair operation which involves the removal of a

cover which gives protection against exposure to microwave energy.

**WARNING:** Liquids and other foods must not be heated in sealed containers since they are liable to explode.

- The oven should be cleaned regularly and any food deposits removed.
- There should be min 20 cm free space above the top surface of the oven.
- Do not over-cook foods; otherwise, you may cause a fire.
- Do not use chemicals and steam assisted cleaners to clean the appliance.
- Extreme caution is advised when being used near children and persons who are restricted in their physical, sensory or mental abilities.
- This appliance can be

# 1 Important safety and environmental instructions

used by the children who are at the age of 8 or over and by the people who have limited physical, sensory or mental capacity or who do not have knowledge and experience, as long as they are supervised with regard to safe use of the product or they are instructed accordingly or understand the risks of using the product. Children should not play with the appliance. Cleaning and user maintenance shall not be made by children unless they are older than 8 and supervised.

- **Danger of choking!** Keep all the packaging materials away from children.
- Due to excessive heat that arises in grill and combination modes, children should only be

allowed to use these modes under supervision of an adult.

- Keep the product and its power cable so that they are inaccessible by children under 8 years old.
- Do not cook food directly on the glass tray. Put the food in / on appropriate kitchen utensils before placing them in the oven.
- Metallic containers for food and beverages are not allowed during microwave cooking. Otherwise, sparking may occur.
- Microwave oven must not be placed in a cabinet that is not in compliance with the installation instructions.
- Microwave oven is intended for built-in use only.
- If built-in appliances being used equal or higher than 900 mm above

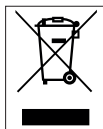
# 1 Important safety and environmental instructions

the floor, care should be taken not to displace the turntable when removing containers from the appliance.

- If the built-in product is in a cabinet with a door, the product must be operated with the cabinet door open.
- Failure to maintain the oven in a clean condition could lead to deterioration of the surface that could adversely affect the life of the appliance and possibly result in a hazardous situation.
- The appliance shall not be cleaned with a steam cleaner.

## 1.2 Compliance with the WEEE Directive and Disposing of the Waste Product:

This product complies with EU WEEE Directive (2012/19/EU). This product bears a classification symbol for waste electrical and electronic equipment (WEEE).



This symbol indicates that this product shall not be disposed with other household wastes at the end of its service life. Used device must be returned to official collection point for recycling of electrical and electronic devices. To find these collection systems please contact to your local authorities or retailer where the product was purchased. Each household performs important role in recovering and recycling of old appliance. Appropriate disposal of used appliance helps prevent potential negative consequences for the environment and human health.

## 1.3 Compliance with RoHS Directive

The product you have purchased complies with EU RoHS Directive (2011/65/EU). It does not contain harmful and prohibited materials specified in the Directive.

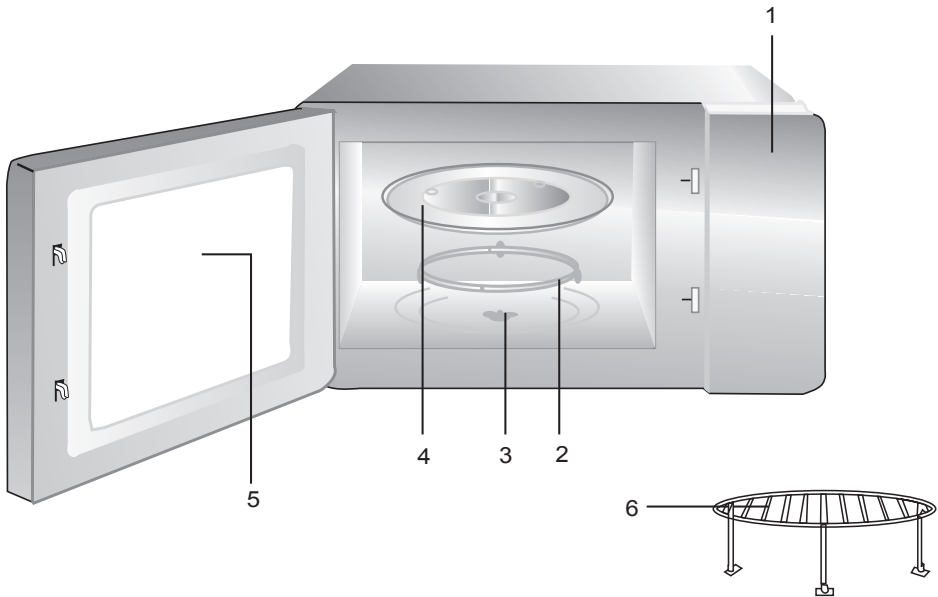
## 1.4 Package information



Packaging materials of the product are manufactured from recyclable materials in accordance with our National Environment Regulations. Do not dispose of the packaging materials together with the domestic or other wastes. Take them to the packaging material collection points designated by the local authorities.

## 2 Your microwave oven

### 2.1 Overview



### Controls and parts

1. Control panel
2. Turntable ring assembly
3. Turntable shaft
4. Glass tray
5. Oven window
6. Grill Rack( Only be used in grill function and be placed on the glass tray )

### 2.2 Technical data

<b>Rated voltage</b>	230 V~50 Hz
<b>Rated input (Microwave)</b>	1450 W
<b>Rated output (Microwave)</b>	900 W
<b>Grill power</b>	1000 W
<b>Microwave frequency</b>	2450 MHz
<b>Oven capacity</b>	25 Liter
<b>Net weight</b>	17.83 kg
<b>External dimensions</b>	594*403*380 mm

Markings on the product or the values stated in other documents supplied with the product are values obtained under laboratory conditions as per relevant standards. These values may vary according to the usage of the appliance and ambient conditions. Power values are tested at 230V.

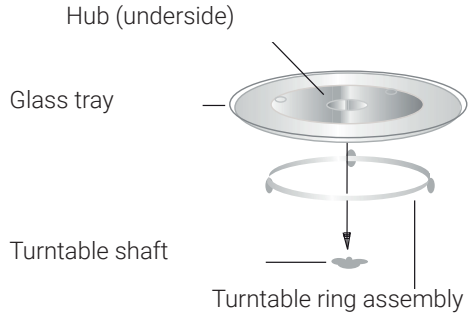
## 2 Your microwave oven

Technical and design modification rights are reserved.

### 2.3 Turntable installation

- Never place the glass tray upside down. The glass tray should never be restricted.
- Both glass tray and turntable support must always be used during cooking.
- All food and containers of food must always place on the glass tray for cooking.

- If glass tray or turntable support crack or break, contact your nearest authorized service center.



## 3 Installation and connection

### 3.1 Installation and connection

- Remove all packing material and accessories. Examine the oven for any damage such as dents or broken door. Do not install if oven is damaged.
- Remove any protective film found on the microwave oven cabinet surface.
- Do not remove the light brown Mica cover that is attached to the oven cavity to protect the magnetron.
- This appliance has been designed for domestic use only.
- This oven is intended for built-in use only. It is not intended for counter-top use or for use inside a cabinet.
- Please observe the special installation instructions.
- The appliance can be installed in a 60 cm wide wall-mounted cabinet (at least 55 cm deep and 85 cm off the floor).
- The appliance is fitted with a plug and must only be connected to a properly installed grounded socket.
- The mains voltage must correspond to the voltage specified on the rating plate.

- If the plug is no longer accessible after installation, an all-pole isolating switch must be present on the installation side with a contact gap of at least 3 mm.
- Adapters, multi-way sockets and extension cords must not be used. Overloading can result with a risk of fire.



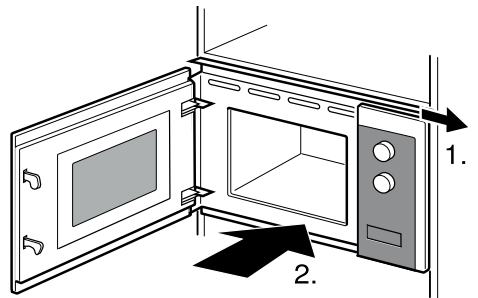
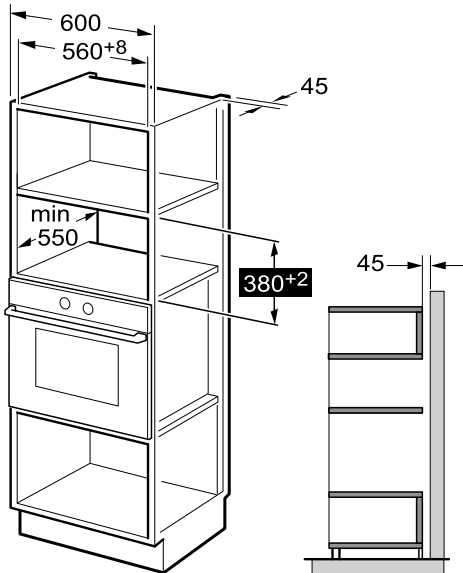
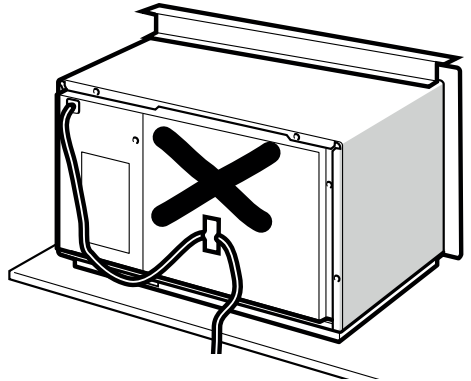
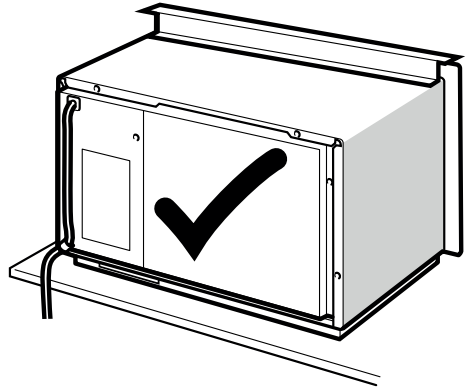
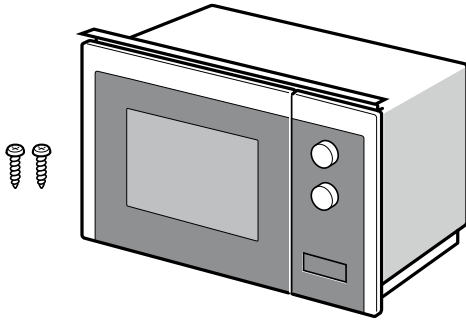
The accessible surface may be hot during operation.



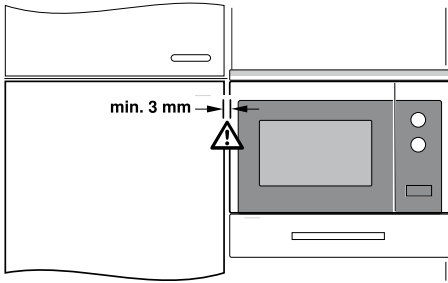
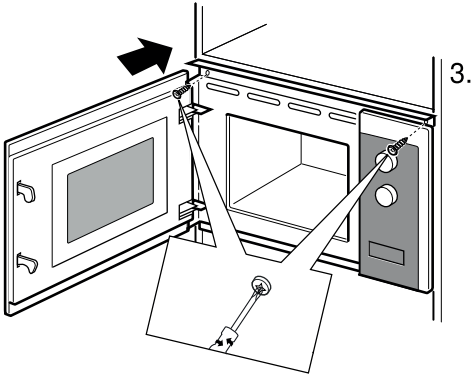
Do not trap or bend the power cable.

# 3 Installation and connection

## 3.2 Built-in installation

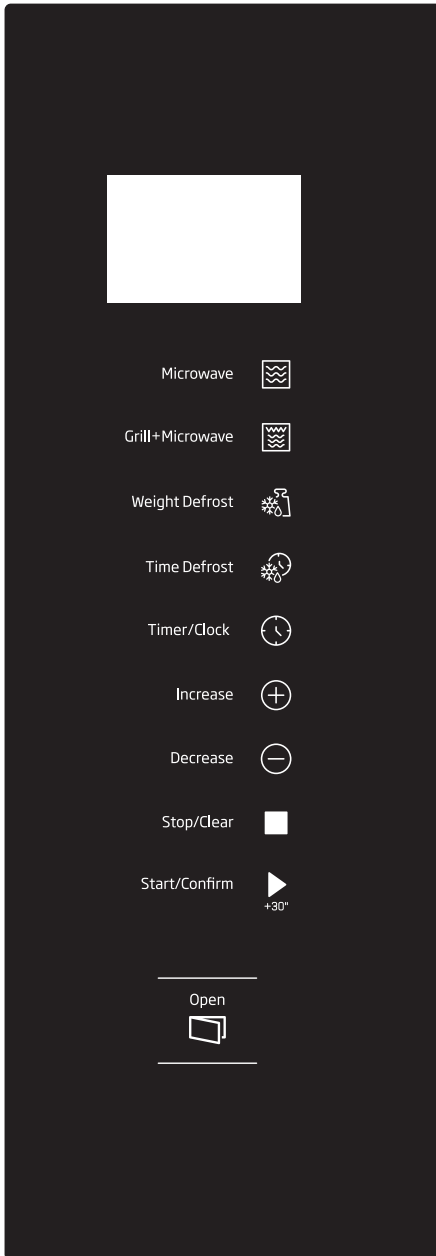


### 3 Installation and connection



# 4 Operation

## 4.1 Control panel



## 4.2 Clock setting

When the microwave oven is electrified, the oven will display "0:00", buzzer will ring once. The oven will enter to waiting state.

1. Press "Timer/Clock" twice, the hour figures will flash;
2. Press "+" or "-" to adjust the hour figures, the input time should be within 0--23.
3. Press "Timer/Clock" to confirm, the minute figures will flash.
4. Turn "+" or "-" to adjust the minute figures, the input time should be within 0--59.
5. Press "Timer/Clock" to finish clock setting. "." will flash. The current time will display.



If the clock is not set, it would not function when powered.

## 4.3 Microwave cooking

1. Press the "Microwave" key once, and "P100" will display.
2. Press "Microwave" repeatedly or press "+" or "-" to select the microwave power. "P100", "P80", "P50", "P30", "P10" will display in order.
3. Press "Start/Confirm" to confirm setting.
4. Press "+" or "-" to adjust the cooking time. (The maximum cooking time is 95 minutes)
5. Press "Start/Confirm" to start cooking.



If the clock is not set, it will not work when powered.



## 4 Operation

The steps for setting the time with the "+" or "-" keys are as follows:

Setting the duration	Increment amount
0-1 minute	5 seconds
1-5 minutes	10 seconds
5-10 minutes	30 seconds
10-30 minutes	1 minute
30-95 minutes	5 minutes

### Microwave power chart

Display	Microwave Power
P100	High
P80	Med.High
P50	Med.
P30	Me d.Low
P10	Low

### 4.4 Grill or Combi. cooking

1. Press "Grill+Microwave" once, the screen will display "G", and press "Grill+Microwave" repeatedly or press "+" or "-" to choose the power you want, and "G", "C-1" or "C-2" will display.
2. Press "Start/Confirm" to confirm the power.
3. Press the "+" or "-" keys to set the cooking time between 0:05 and 95:00.
4. Press "Start/Confirm" again to start cooking.



**Example:** If you want to use 55% microwave power and 45% grill power(C-1) to cook for 10 minutes, you can operate the oven as the following steps.

1. Press "Grill+Microwave" once, the screen displays "G".

2. Continue to press "Grill+Microwave" until the screen displays "C-1".
3. Press "Start/Confirm" to confirm.
4. Press "+" or "-" to adjust the cooking time until the oven displays "10:00".
5. Press "Start/Confirm" to start cooking.

### Combination power instructions:

Program	Display	Microwave power	Grill power
Grill	G	%0	%100
Combi.1	C-1	%55	%45
Combi.2	C-2	%36	%64



If half the grill time passes, the oven sounds twice, and this is normal. In order to have a better effect of grilling food, you should turn the food over, close the door, and then press "Start/Confirm" to continue cooking. If no operation, the oven will continue working.

### 4.5 Defrost by weight

1. Press "Weight Defrost" once, the screen will display "dEF1".
2. Press "+" or "-" to select the food weight. The range of weight is 100-2000g.
3. Press "Start/Confirm" key to start defrosting.

## 4 Operation



If half the defrost time passes, the oven sounds twice, and this is normal. In order to have a better effect of defrosting, you should turn the food over, close the door, and then press "Start/Confirm" to continue cooking. If no operation, the oven will continue working.

### 4.6 Defrost by time

1. Press "Time Defrost" once, the screen will display "dEF2".
2. Press "+" or "-" to select the cooking time. The maximum time is 95 minutes.
3. Press "Start/Confirm" key to start defrosting.



If half the defrost time passes, the oven sounds twice, and this is normal. In order to have a better effect of defrosting, you should turn the food over, close the door, and then press "Start/Confirm" to continue cooking. If no operation, the oven will continue working.

### 4.7 Multi-Stage cooking

2 stages can be maximumly set. If one stages is defrosting, it should be put in the first stage automatically. The buzzer will ring once after each stage and the next stage will begin.



Auto menu and speedy cooking cannot be set as one of the multi-stage.



**Example:** If you want to defrost the food for 5 minutes, then to cook with 80% microwave power for 7 minutes. The steps are as following.

1. Press "Time Defrost" once, the screen will display "dEF2".
2. Press "+" or "-" to adjust the defrost time of 5 minutes.
3. Press "Microwave" once, the screen will display "P100".
4. Press "Microwave" repeatedly to choose microwave power till "P80" displays
5. Press "Start/Confirm" to confirm.
6. Press "+" or "-" to adjust the cooking time of 7 minutes.
7. Press "Start/Confirm" to start cooking.

### 4.8 Kitchen timer (counter)

Your oven is equipped with an automatic counter which is not linked with the oven functions and can be used separately at the kitchen ( it can be set to max. 95 minutes.)

1. Press "Timer/Clock" once, the screen will display "00:00".
2. Press "+" or "-" to enter the correct timer. (The maximum cooking time is 95 minutes)
3. Press "Start/Confirm" to confirm setting.
4. When the countdown from the entered time reaches to 00:00, the buzzer will ring for 5 times. If the time is set (24-hour system), current time will be displayed in LED screen.



Kitchen timer functions different than 24-hours system. Kitchen timer is just a timer.

## 4 Operation

### 4.9 Auto menu

1. In waiting state, press “+” repeatedly to choose the menu.
2. Press “Start/Confirm” to confirm the menu you choose.
3. Press “+” or “-” to choose the food weight.
4. Press “Start/Confirm” to start cooking.

#### The menu chart

Display	Menu	Weight	Power
A 1	Pizza	200 g	C-2
		400 g	
A 2	Meat	250 g	100%(Mic.)
		350 g	
		450 g	
A 3	Vegetable	200 g	100%(Mic.)
		300 g	
		400 g	
A 4	Pasta	50 g (with 450g cold water)	80%(Mic.)
		100 g (with 800g cold water)	
A 5	Potato	200 g	100%(Mic.)
		400 g	
		600 g	
A 6	Fish	250 g	80%(Mic.)
		350 g	
		450 g	

A 7	Beverage	1cup (about 120ml)	100%(Mic.)
		2cups (about 240ml)	
		3cups (about 360ml)	
A 8	Popcorn	50 g	100%(Mic.)
		100 g	

### 4.10 Speedy cooking

1. In waiting state, press “Start/Confirm” key to cook with 100% power level for 30 seconds. Each press on the same key can increase 30 seconds. The maximum cooking time is 95 minutes.
2. During the microwave, grill, combination cooking and the defrost by time process, press “Start/Confirm” to increase the cooking time.
3. Under the states of auto menu and defrost by weight, cooking time cannot be increased by pressing “Start/Confirm”.
4. In waiting state, press “-” to choose the cooking time. After adjusting the cooking time, press “Start/Confirm” to start microwave cooking with 100% power lever.

### 4.11 Inquiring function

1. In cooking states of microwave or grill and combination. Press “Microwave” or “Grill+Microwave”, the current power will be displayed for 3 seconds.
2. If the clock has been set, during cooking state, press “Timer/Clock” to check the current time. It will be displayed for 3 seconds.

## 4 Operation

### 4.12 Child lock

1. **Lock:** In waiting state, press "Stop/Clear" for 3 seconds to enter the children-lock state and the current time will display if the time has been set, otherwise, the screen will display "E : : J".
2. **Lock quitting:** In locked state, press "Stop/Clear" for 3 seconds, the lock is released.

### 4.13 Specification

1. If the door is opened in the process of cooking, close the door and then press

"Start/Confirm" to continue cooking.

2. Once the cooking programme has been set, "Start/Confirm" is not pressed in 1 minutes. The current time will be displayed. The setting will be cancelled.
3. The buzzer sounds once by efficient press, inefficient press will be no response.

### 4.14 Open the oven door

Press "Open the Cover" button, the oven door will open.

## 5 Cleaning and care

### 5.1 Cleaning and care



**WARNING:** Never use gasoline, solvent, abrasive cleaning agents, do not use harsh abrasive cleaners or sharp metal scrapers to clean the oven door glass since they can scratch the surface, which may result in shattering of the glass.



**WARNING:** Never immerse the appliance or its power cable in water or in any other liquid.

1. Turn off the oven and remove the power plug from the wall socket before cleaning.
2. Wait for the appliance to completely cool down.
3. Keep the inside of the oven clean. When food splatters or spilled liquids adhere to oven walls, wipe with a damp cloth. Mild detergent may be used if the oven gets very dirty. Avoid the use of spray and other harsh cleaners as they may stain, streak or dull the door surface.

## 5 Cleaning and care

4. The outside surfaces should be cleaned with a damp cloth. To prevent damage to the operating parts inside the oven, water should not be allowed to seep into the ventilation openings.
5. Wipe the both sides of the door and window, the door seals and adjacent parts frequently with a damp cloth to remove any spills or spatters. Do not use abrasive cleaner.
6. A steam cleaner is not to be used.
7. Do not allow the control panel to become wet. Clean with a soft, damp cloth. When cleaning the control panel, leave oven door open to prevent oven from accidentally turning on.
8. If steam accumulates inside or around the outside of the oven door, wipe with a soft cloth. This may occur when the microwave oven is operated under high humidity condition. And it is normal.
9. It is occasionally necessary to remove the glass tray for cleaning. Wash the tray in warm sudsy water or in a dishwasher.
10. The roller ring and oven floor should be cleaned regularly to avoid excessive noise. Simply wipe the bottom surface of the oven with mild detergent. The roller ring may be washed in mild sudsy water or dishwasher. When removing the roller ring from cavity floor for cleaning, be sure to replace in the proper position.
11. Remove odors from your oven by combining a cup of water with the juice and skin of one lemon in a deep microwavable bowl, microwave for 5 minutes. Wipe thoroughly and dry with a soft cloth.
12. When it becomes necessary to replace the oven light, please consult a dealer to have it replaced.
13. The oven should be cleaned regularly and any food deposits removed. Failure to maintain the oven in a clean condition could lead to deterioration of the surface that could adversely affect the life of the appliance and possibly result in a hazardous situation.
14. Please do not dispose this appliance into the domestic rubbish bin; it should be disposed to the particular disposal center provided by the municipalities.
15. When the microwave oven with grill function is first used, it may produce slight smoke and smell. This is a normal phenomenon because the oven is made of a steel plate coated with lubricating oil, and the new oven will produce fumes and odor generated by burning the lubricating oil. This phenomenon will disappear after a period of using.

### 5.2 Storage

- If you do not intend to use the appliance for a long time, please store it carefully.
- Please make sure that the appliance is unplugged, cooled down and totally dry.
- Store the appliance in a cool and dry place.
- Keep the appliance out of the reach of children.

## 5 Cleaning and care

### 5.3 Handling and transportation

- During handling and transportation, carry the appliance in its original packaging. The packaging of the appliance protects it against physical damages.
- Do not place heavy loads on the appliance or the packaging. The appliance may be damaged.
- Dropping the appliance will render it non-operational or cause permanent damage.

## 6 Troubleshooting

Problem	Possible Reason	Solution
Oven cannot be started.	1) Power cable is not plugged in properly.	Unplug. Then plug again after 10 seconds.
	2) Fuse is blown or circuit breaker is activated.	Replace fuse or reset circuit breaker (repaired by professional personnel of our company).
	3) Trouble with outlet.	Test the outlet with other electrical appliances.
Oven does not heat.	4) Door is not closed properly.	Close the door properly.
If none of the above rectifies the situation, then contact a qualified technician. Do not try to adjust or repair the oven yourself.		

# Læs denne brugervejledning først!

Kære værdsatte kunde

Tak, fordi du har købt dette Cylinda-apparat. Vi håber, du får det bedste ud af dit apparat, som er fremstillet ved hjælp af moderne teknologi af højeste kvalitet. Af denne årsag skal du læse hele brugervejledningen og alle andre medfølgende dokumenter grundigt igennem, inden du tager apparatet i brug. Gem brugervejledningen til fremtidig brug. Hvis du giver apparatet videre til en anden, skal du huske også at give brugervejledningen videre. Følg vejledningen ved at læse alle brugervejledningens oplysninger og advarsler omhyggeligt.

Husk, at denne brugervejledning også gælder for andre modeller. Forskelle mellem modellerne er udtrykkeligt beskrevet i vejledningen.

## Symbolernes betydning

Følgende symboler bruges i brugervejledningens forskellige afsnit:



Vigtig information eller nyttige tips om brug.



Advarsler om farlige situationer vedrørende sikkerhed og liv og ejendom.



Advarsel mod varme overflader.



Advarsel mod elektrisk stød.

## Vigtige sikkerhedsinstruktioner læses omhyggeligt og opbevares som fremtidig reference

### 1.1 Sikkerhedsadvarsler

Dette afsnit indeholder sikkerhedsanvisninger, der vil hjælpe med at beskytte mod brand, elektrisk stød, udsættelse for lækket mikrobølgeenergi, risiko for personskade eller skade på ejendom. Hvis du ikke følger disse instruktioner, bliver garantien annulleret.

- Cylinda-mikrobølgeovne overholder de gældende sikkerhedsstandarder. I tilfælde af skade på apparatet eller strømkablet skal det derfor repareres eller udskiftes af forhandleren, servicecentret eller en specialist og autoriseret service for at undgå fare. Fejlagtigt eller ikke-kvalificeret reparationsarbejde kan medføre fare og forårsage risiko for brugeren.
- Dette apparat er beregnet til brug i husholdningen og lignende anvendelser såsom
  - Personalekøkken, butiksområder, kontorer og andre arbejdsmiljøer,
  - Landbrugsejendomme
  - Kunder på hoteller, og andre boligmiljøer,
  - Bed and breakfast-miljøer.
- Den er ikke beregnet til kommerciel eller industriel anvendelse.
- Forsøg ikke at starte ovnen, når døren er åben. Ellers kan du blive udsat for skadelig mikrobølgeenergi. Sikkerhedslåse må ikke deaktiveres eller manipuleres.



# 1 Vigtige anvisninger vedrørende sikkerhed og miljø

- Mikrobølgeovnen er beregnet til opvarmning af mad og drikkevarer. Tørring af mad eller beklædning og opvarmning af opvarmningspulver, hjemmesko, svampe, fugtig klud og lignende kan føre til risiko for personskade, antændelse eller brand.
- Anbring ingen genstande mellem forsiden og døren til ovnen. Lad ikke rester af snavs eller rengøringsmiddel opbygges på lukkeoverfladerne.
- Eventuelle servicearbejder, der involverer fjernelse af dækslet, der giver beskyttelse mod eksponering for mikrobølgeenergi, skal udføres af autoriserede personer/service. Enhver anden tilgang er farlig.
- Dit produkt er beregnet til madlavning, opvarmning og afrimning af mad derhjemme. Den må ikke bruges til andet formål.
- Din ovn er ikke designet til at tørre noget levende væsen.
- Brug ikke dit apparat til at tørre tøj eller køkkenhåndklæder.
- Brug ikke dette apparat udendørs, badeværelser, fugtige miljøer eller steder, hvor det kan blive vådt.
- Vi påtager os intet ansvar eller garanti for skader, der opstår som følge af forkert brug eller forkert håndtering af apparatet.
- Forsøg ikke at afmontere produktet. Ingen garanti-krav accepteres for skader, der skyldes forkert håndtering.
- Brug kun de originale reservedele og/eller dele frigivet af producenten.

- Lad ikke apparatet være uden opsyn, mens det er tilsluttet.
- Brug altid apparatet på en stabil, flad, ren, tør og skridsikker overflade.
- Apparaterne er ikke beregnet til at blive betjent ved hjælp af en ekstern timer eller separat fjernbetjening.
- Før du anvender enheden for første gang, skal du fjerne alt emballage. Se detaljerne i afsnittet "Rengøring og vedligeholdelse".
- Brug kun apparatet til det tilsigtede formål som beskrevet i denne vejledning.
- Apparatet bliver meget varmt, mens det er i brug. Vær opmærksom på ikke at røre ved de varme dele inde i ovnen.
- Brug ikke ovnen tom.
- Køkkengrej kan blive varmt på grund af den varme, der overføres fra den opvarmede mad til redskabet. Du har muligvis brug for termohandsker for at holde redskabet.
- Redskaber skal kontrolleres for at sikre, at de er egnede til brug i mikrobølgeovne.
- Anbring ikke ovnen på komfurer eller andre varmegenererende apparater. Ellers kan det blive beskadiget, og garantien bortfalde.
- Der kan komme damp ud, mens du åbner dækslerne eller folien efter madlavning.
- Apparatet og dets tilgængelige overflader kan blive meget varmt, når apparatet er i brug.
- Dør og yderglas kan blive

# 1 Vigtige anvisninger vedrørende sikkerhed og miljø

meget varmt, når apparatet er i brug.

- Sørg for, at din strømforsyning er i overensstemmelse med de oplysninger, der leveres på apparatets typeskilt.
- Den eneste måde at afbryde apparatet fra strømforsyningen er at fjerne stikket fra stikkontakten.
- Brug kun apparatet med en jordet stikkontakt.
- Brug ikke apparatet, hvis strømkablet eller selve apparatet er beskadiget.
- Brug ikke apparatet med en forlængerledning!
- Rør aldrig ved apparatet eller dets stik med fugtige eller våde hænder.
- Apparatet skal placeres, så stikket altid er tilgængeligt
- Undgå beskadigelse af strømkablet ved ikke at presse, bøje eller gnide det på skarpe kanter. Hold strømkablet væk fra varme overflader og åben ild.
- Sørg for, at der ikke er nogen fare for, at strømkablet ved et uheld kan trækkes, eller at nogen kan snuble over det, når apparatet er i brug.
- Tag stikket ud af stikkontakten før hver rengøring og når apparatet ikke er i brug.
- Træk ikke i strømkablet på apparatet for at fjerne det fra strømforsyningen, og vikl aldrig strømkablet rundt om apparatet.
- Nedsænk ikke apparatet, strømkablet eller strømstikket i vand eller andre væsker. Hold den ikke under rindende vand.
- Når du opvarmer mad

# 1 Vigtige anvisninger vedrørende sikkerhed og miljø

- i plast- eller papirbeholdere, skal du holde øje med ovnen på grund af muligheden for antændelse.
- Fjern trådstreng og / eller metalhåndtag af papir eller plastikposer, før du sætter poser i ovnen.
  - Hvis der observeres røg, skal du slukke for apparatet eller tage stikket ud, hvis det er sikkert, og hold døren lukket for at kvæle flammer.
  - Brug ikke mikrobølgeovn til opbevaring. Efterlad ikke papirvarer, madlavningsmateriale eller mad inde i ovnen, når den ikke bruges.
  - Indholdet af sutteflasker og babymadbøtter bør omrøres eller rystes, og temperaturen kontrolleres inden forbrug for at undgå forbrændinger.
  - Dette apparat er et gruppe 2 ISM-udstyr af klasse B. Gruppe 2 indeholder alt ISM (industrielt, videnskabeligt og medicinsk) udstyr, hvor radiofrekvensenergi med vilje genereres og/eller bruges i form af elektromagnetisk stråling til behandling af materiale og gnisterosionsudstyr.
  - Klasse B-udstyr er velegnet til brug i hjemlige virksomheder og virksomheder, der er direkte tilsluttet et lavspændingsforsyningsnet.
  - Brug ikke madolie i ovnen. Varm olie kan beskadige ovnens komponenter og materialer, og det kan endda forårsage forbrændinger på huden.
  - Prik mad med tyk skorpe som kartofler, courgetter, æbler og kastanjer.
  - Apparatet skal placeres,

# 1 Vigtige anvisninger vedrørende sikkerhed og miljø

så bagsiden vender mod væggen.

- Inden du flytter apparatet, skal du sikre drejeskiven for at forhindre skader.
- Æg i deres skal og hele hårdkogte æg må ikke opvarmes i mikrobølgeovne, da de kan eksplodere, selv efter at mikrobølgeopvarmningen er afsluttet.

**ADVARSEL:** Hvis døren eller dørforseglingen er beskadiget, må ovnen ikke betjenes, før den er repareret af en kompetent person.

**ADVARSEL:** Det er farligt for andre end en kompetent person at udføre enhver service eller reparation, der involverer fjernelse af et dæksel, der giver beskyttelse mod udsættelse for mikrobølgeenergi.

**ADVARSEL:** Væsker og andre fødevarer må ikke opvarmes i forseglede beholdere, da de kan eksplodere.

- Ovnen skal rengøres regelmæssigt, og eventuelle madaflejringer fjernes.
- Der skal være min 20 cm fri plads over ovnens øverste overflade.
- Maden må ikke koges for meget, ellers kan du forårsage brand.
- Brug ikke kemikalier og dampassisterede rengøringsmidler til at rengøre apparatet.
- Ekstrem forsigtighed tilrådes, når det bruges i nærheden af børn og personer, der er begrænset i deres fysiske, sensoriske eller mentale evner.
- Dette apparat kan bruges af børn i alderen 8 år

# 1 Vigtige anvisninger vedrørende sikkerhed og miljø

eller derover og af personer, der har begrænset fysisk, sensorisk eller mental kapacitet, eller som ikke har viden og erfaring, så længe de overvåges med hensyn til sikker brug af produktet, eller de instrueres i overensstemmelse hermed eller forstår risikoen ved at bruge produktet. Børn bør ikke lege med produktet. Rengøring og brugervedligeholdelse må ikke udføres af børn, med mindre de er over 8 år og overvåget.

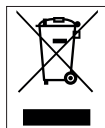
- **Fare for kvælning!** Hold alle emballagematerialer utilgængelige for børn.
- På grund af overdreven varme, der opstår i grill- og kombinations-tilstande, bør børn kun have tilladelse til at bruge disse tilstande under opsyn af en voksen.
- Opbevar produktet og dets strømkabel, så de er utilgængelige for børn under 8 år.
- Tilbered ikke mad direkte på glasbakken. Læg maden i/på passende køkkenredskaber, inden du sætter dem i ovnen.
- Metalbeholdere til mad og drikke er ikke tilladt i mikrobølgeovn. Ellers kan der opstå gnister.
- Mikrobølgeovnen må ikke placeres i et skab, der ikke overholder installationsvejledningen.
- Mikrobølgeovn er kun beregnet til indbygget brug.
- Hvis indbyggede apparater, der bruges lige på eller højere end 900 mm over gulvet, skal man passe på ikke at forskyde drejeskiven, når beholdere fjernes fra apparatet.

# 1 Vigtige anvisninger vedrørende sikkerhed og miljø

- Hvis det indbyggede produkt er i et skab med en dør, skal produktet betjenes med skabsdøren åben.
- Hvis man ikke vedligeholder ovnen i ren tilstand, kan det føre til ødelægning af overfladen, der kan påvirke apparatets levetid, og muligvis resultere i en farlig situation.
- Apparatet må ikke rengøres med en damprenser.

## 1.2 Overholdelse af WEEE-direktivet og bortskaffelse af affald:

Dette produkt er i overensstemmelse med WEEE-direktiv (2012/19/EU). Dette produkt bærer et symbol for klassificering af bortskaffelse af elektrisk og elektronisk udstyr (WEEE).



Dette symbol indikerer, at dette produkt ikke må bortskaffes sammen med almindeligt husholdningsaffald, når slutningen på dets levetid er nået. Brugte apparater skal indleveres på en offentlig genbrugsplads til elektriske og elektroniske apparater.

Kontakt din kommune eller forhandleren af produktet for at finde ud af, hvor

disse genbrugspladser ligger. Alle husholdninger spiller en vigtig rolle i forhold til genanvendelse og genbrug af gamle produkter. Korrekt bortskaffelse af brugte apparater hjælper med at beskytte mod potentielt negative konsekvenser for miljøet og mennesker.

## 1.3 Overholdelse af RoHS-direktivet:

Det produkt, du har købt, er i overensstemmelse med EU RoHS-direktivet (2011/65/EU). Det indeholder ikke skadelige og forbudte materialer angivet i direktivet.

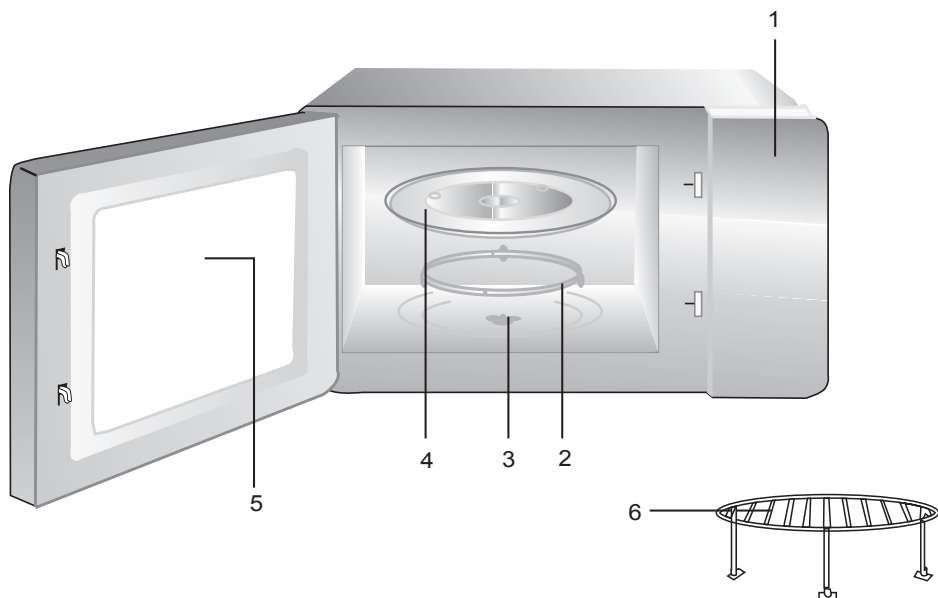
## 1.4 Information om emballagen



Produktets emballage er fremstillet fra genbrugsmaterialer i overensstemmelse med nationale miljølove. Smid ikke emballagen sammen med husholdningsaffald eller andet affald. Tag den til indsamlingssted for emballage, som er udpeget af lokale myndigheder.

## 2 Din mikrobølgeovn

### 2.1 Oversigt



### Kontroller og dele

1. Betjeningspanel
2. Støtte til drejetallerken
3. Aksel til drejetallerken
4. Glasbakke
5. Ovnvindue
6. Grillrist (må kun bruges med grillfunktion og skal placeres på glasbakken)

### 2.2 Tekniske data

<b>Nominel spænding</b>	230 V~50 Hz
<b>Nominelt input (Mikroovn)</b>	1450 W
<b>Nominelt output (Mikroovn)</b>	900 W
<b>Grilleffekt</b>	1000 W
<b>Drifts-frekvens</b>	2450 MHz
<b>Ovnens kapacitet</b>	25 liter
<b>Nettovægt</b>	17.83 kg
<b>Udvendige dimensioner</b>	594*403*380 mm

Tekniske og designændrings rettigheder er forbeholdt.

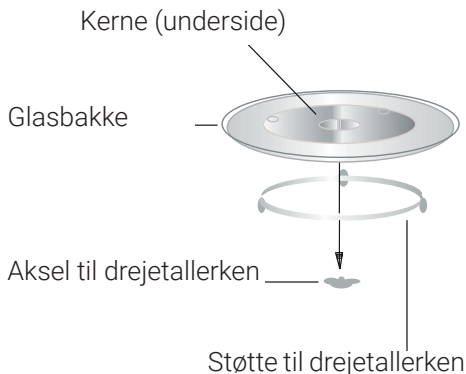
Markeringer på produktet eller værdierne i andre dokumenter, der følger med produktet, er værdier opnået under laboratorieforhold efter relevante standarder. Sådanne værdier kan variere afhængigt af brugen af apparatet og de omgivende betingelser. Effektværdier er testet ved 230 V.



## 2 Din mikrobølgeovn

### 2.3 Montering af drejetallerken

- Placer aldrig glasbakken på hovedet. Glasbakke skal altid kunne bevæge sig frit.
- Både glasbakken og støtten til drejetallerkenen skal altid bruges ved tilberedning.
- Alle fødevarer og fødevarer beholdere skal altid placeres på glasbakken under tilberedningen.
- Hvis glasbakken eller drejetallerkenen revner eller går itu, skal du kontakte det nærmeste autoriserede servicecenter.



## 3 Montering og tilslutning

### 3.1 Montering og tilslutning

- Fjern alt indpakningsmateriale og tilbehør. Undersøg, om ovnen har nogen skader såsom buler eller en beskadiget dør. Monter ikke ovnen, hvis den er beskadiget.
- Fjern al beskyttelsesfilm, der findes på overfladen af mikrobølgeovnen's kabinet.
- Ikke fjern det lysbrune Mica-låg, der er monteret på ovnåbningen for at beskytte magnetronen.
- Dette apparat er udelukkende beregnet til brug i hjemmet.
- Denne ovn er udelukkende beregnet til indbygget brug. Den er ikke beregnet til fritstående brug eller til brug i et skab.
- Følg de særlige monteringsanvisninger.
- Apparatet kan monteres i et 60 cm bredt vægmonteret skab (mindst 50 cm dybt og 85 cm over gulvhøjde).
- Apparatet monteres med et stik og må kun sluttes til en korrekt monteret stik-

kontakt med jordforbindelse.

- Netspændingen skal svare til den spænding, der er angivet på typepladen.
- Hvis stikket ikke længere er tilgængeligt efter monteringen, skal der findes en ledningsadskiller til samtlige poler på monteringssiden med et kontaktemmelrum på mindst 3 mm.
- Der må ikke benyttes adaptere, multistikdåser eller forlængerledninger. Overbelastning kan medføre brandrisiko.



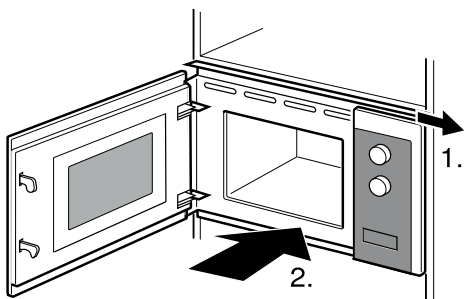
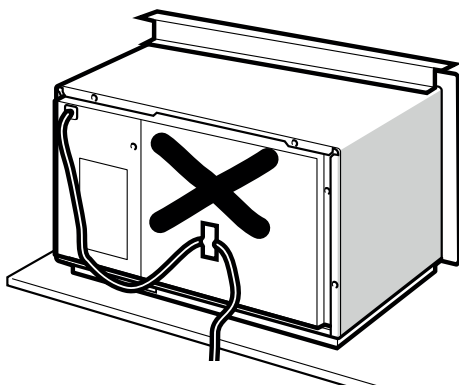
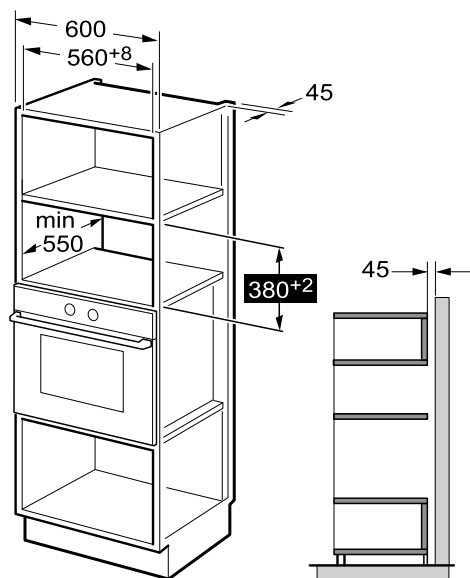
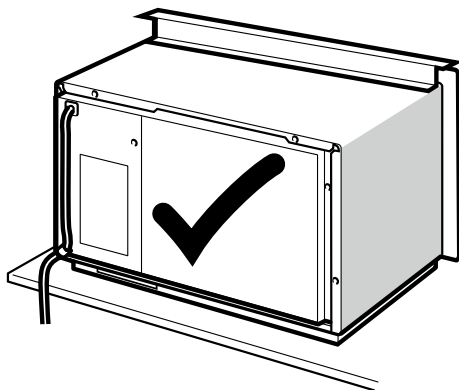
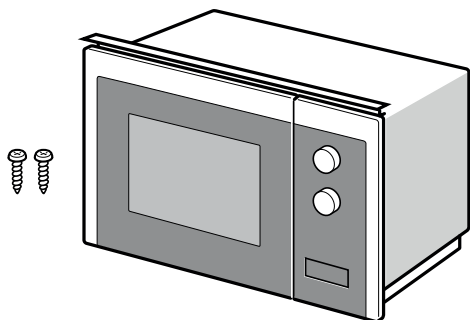
Den tilgængelige overflade kan være varm under brug.



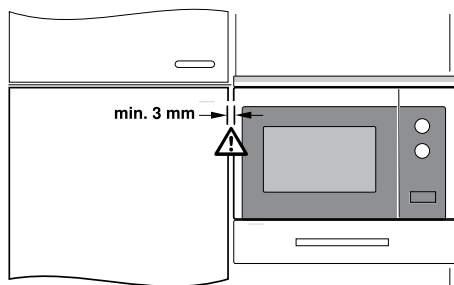
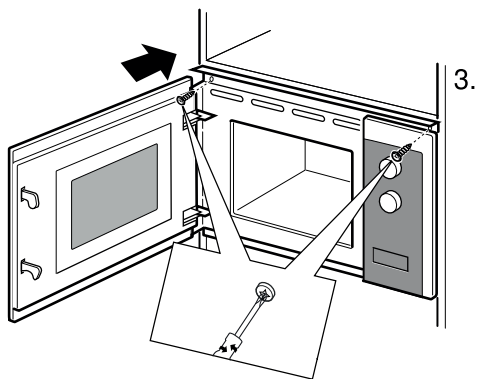
Strømkablet må ikke klemmes eller bøjes.

# 3 Montering og tilslutning

## 3.2 Indbygget montering

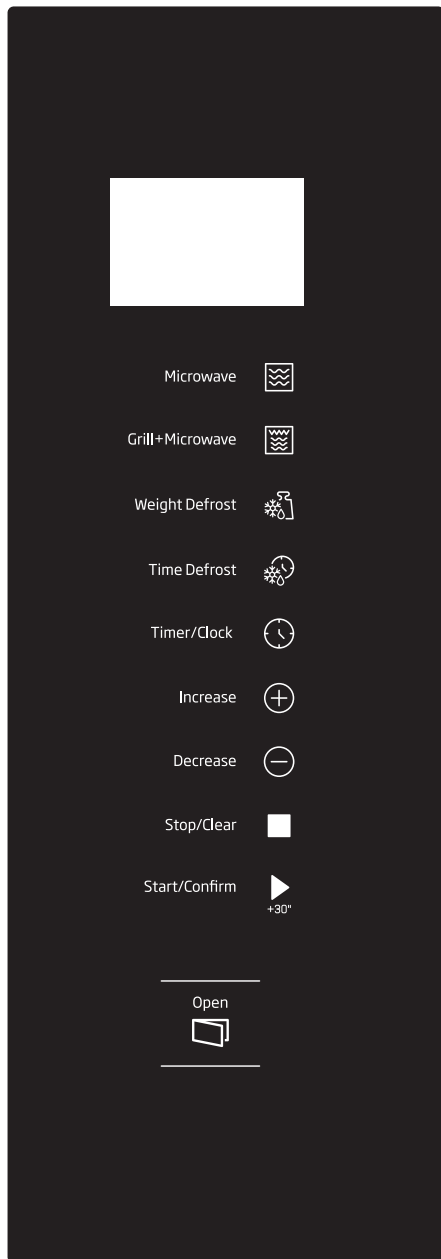


### 3 Montering og tilslutning



## 4 Betjening

### 4.1 Styrepanel



### 4.2 Urindstilling

Når der er sat strøm til mikrobølgeovnen, viser ovnen "0:00", summeren ringer en gang. Ovnens går i ventetilstand.

1. Tryk "Timer/Clock" to gange, timerne vil blinke.
2. Tryk på "+" eller "-" for at justere urets tal, inputtiden skal være fra 0 til 23.
3. Tryk "Timer/Clock" for at bekræfte, minutterne vil blinke.
4. Tryk på "+" eller "-" for at justere minutterne, inputværdien skal være mellem 0 og 59.
5. Tryk på "Timer/Clock" for at afslutte indstilling af uret. ":" vil blinke. Den aktuelle tid vil blive vist.



Hvis uret ikke er indstillet, fungerer det ikke, når det er tændt.

### 4.3 Mikrobølgeovnsindstilling

1. Tryk en gang på "Microwave", og "P100" vises.
2. Tryk på "Microwave" flere gange eller tryk på "+" eller "-" for at vælge mikroovnens effekt. "P100", "P80", "P50", "P30", "P10" vil blive vist i rækkefølge.
3. Tryk på "Start/Confirm" for at bekræfte indstillinger.
4. Drej "-" for at justere tilberedningstiden. (Den længste tilberedningstid er 95 minutter).
5. Tryk på "Start/Confirm" for at starte tilberedningen.



Hvis uret ikke er indstillet, fungerer det ikke, når det er tændt.

## 4 Betjening

Trinnene for at indstille tiden med tasterne "+" eller "-" er som følger:

Indstilling af varighed	Optællingsværdi
0-1 minut	5 sekunder
1-5 minutter	10 sekunder
5-10 minutter	30 sekunder
10-30 minutter	1 minut
30-95 minutter	5 minutter

### Mikroovnseffekt-diagram

Skærm	Mikroovnseffekt
P100	Høj
P80	Medium.Høj
P50	Medium
P30	Me d.Lav
P10	Lav

### 4.4 Grill eller kombi-madlavning

1. Tryk på "Grill+Microwave" en gang, skærmen vil vise "G", og tryk på "Grill+Microwave" flere gange, eller tryk på "+" eller "-" for at vælge den effekt, du ønsker, og "G", "C-1" eller "C-2" vil blive vist.
2. Tryk på "Start/Confirm" for at bekræfte effekten.
3. Tryk på "+-" for at indstille tilberedningstiden til en værdi mellem 0:05 og 95:00.
4. Tryk på "Start/Confirm" igen for at starte tilberedningen.



**Eksempel:** Hvis du vil bruge 55 % mikrobølgeeffekt og 45 % grilleffekt (C-1) til madlavning i 10 minutter, kan du betjene ovnen med følgende trin.

1. Tryk en gang på "Grill+Microwave" en gang, skærmen viser "G".

2. Fortsæt med at trykke en gang på "Grill+Microwave", indtil skærmen viser "C-1".
3. Tryk på "Start/Confirm" for at bekræfte.
4. Tryk på "-" for at justere tilberedningstiden, indtil ovnen viser "10:00".
5. Tryk på "Start/Confirm" for at starte tilberedningen.

### Instruktioner til kombination af effekt

Program	Skærm	Mikroovnseffekt	Grill effekt.
Grill	G	%0	%100
Combi.1	C-1	%55	%45
Combi.2	C-2	%36	%64



Hvis halvdelen af grilltiden går, lyder ovnen to gange, og dette er normalt. For at få en bedre effekt af at grille mad, skal du vende maden, lukke døren og derefter trykke på "Start/Confirm" for at fortsætte med at tilberede. Hvis der ikke er nogen operation, fortsætter ovnen med at arbejde.

### 4.5 Afrimning efter vægt

1. Tryk en gang på "Weight Defrost", Skærmen viser "dEF1".
2. Tryk på "+" eller "-" for at vise madens vægt. Vægtområdet er 100-2000 g.
3. Tryk på "Start/Confirm" for at starte optøningen



Hvis halvdelen af optøningstiden går, lyder ovnen to gange, og dette er normalt. For at få en bedre effekt af optøning, skal du vende maden, lukke døren og derefter trykke på "Start/Confirm" for at fortsætte tilberedning. Hvis der ikke er nogen operation, fortsætter ovnen med at arbejde.

### 4.6 Optøning efter tid

1. Tryk en gang på "Time Defrost", skærmen viser "deF2".
2. Tryk på "+" eller "-" for at vælge tilberedningstiden. Den maksimale tider 95 minutter.
3. Tryk på "Start/Confirm" for at starte optøningen.



Hvis halvdelen af optøningstiden går, lyder ovnen to gange, og dette er normalt. For at få en bedre effekt af optøning, skal du vende maden, lukke døren og derefter trykke på "Start/Confirm" for at fortsætte tilberedning. Hvis der ikke er nogen operation, fortsætter ovnen med at arbejde.

### 4.7 Tilberedning i flere trin

Der kan maksimalt indstilles 2 trin. Hvis et trin er optøning, skal den sættes automatisk i den første fase. Summeren ringer en gang efter hvert trin, og næste trin begynder.



Auto-menu og hurtig tilberedning kan ikke indstilles som en af flertrinnene.



**Eksempel:** Hvis du vil optø maden i 5 minutter, skal du lave mad med 80% mikrobølgeeffekt i 7 minutter. Trinnene er som følger.

1. Tryk en gang på "Time Defrost", skærmen viser "deF2".
2. Drej "+" eller "-" for at justere optøningstiden til 5 minutter.
3. Tryk en gang på "Microwave", skærmen viser "P100".
4. Tryk gentagne gange på "Microwave" for at vælge mikrobølgeeffekt, indtil "P80" vises
5. Tryk på "Start/Confirm" for at bekræfte.
6. Tryk på "+" eller "-" for at justere optøningstiden til 7 minutter.
7. Tryk på "Start/Confirm" for at starte tilberedningen.

### 4.8 Køkken-minutur (Tællere)

Din ovn er udstyret med en automatisk tæller, der ikke er forbundet med ovnfunktionerne og kan bruges separat i køkkenet (den kan indstilles til maks. 95 minutter.)

1. Tryk en gang på "Timer/Clock", skærmen viser "00:00".
2. Tryk på "+" eller "-" for at indtaste den korrekte timer. (Den længste tilberedningstid er 95 minutter).
3. Tryk på "Start/Confirm" for at bekræfte indstillinger.
4. Når nedtællingen fra den indtastede tid når til 00:00, vil summeren lyde 5 gange. Hvis tiden er indstillet (24-timers

## 4 Betjening

system), vises den aktuelle tid på LED-skærmen.



Køkken-timeren fungerer anderledes end 24-timers system. Køkken-timeren er bare en timer.

### 4.9 Automenu

1. I ventetilstand, tryk på "+" gentagne gange for at vælge menuen.
2. Tryk på "Start/Confirm" for at bekræfte den valgte menu.
3. Tryk på "+" eller "-" for at vælge madens vægt.
4. Tryk på "Start/Confirm" for at starte tilberedningen.

#### Menudiagrammet:

Skærm	Menu	Vægt	Effekt
A 1	Pizza	200 g	C-2
		400 g	
A 2	Kød	250 g	100% (Mik.)
		350 g	
		450 g	
A 3	Grøntsager	200 g	100% (Mik.)
		300 g	
		400 g	
A 4	Pasta:	50 g (med 450 g koldt vand)	80% (Mik.)
		100 g (med 800g koldt vand)	
A 5	Kartofler	200 g	100% (Mik.)
		400 g	
		600 g	

A 6	Fisk	250 g	80% (Mik.)
		350 g	
		450 g	
A 7	Drikkevarer	1 kop (ca. 120 ml)	100% (Mik.)
		2 kopper (ca. 240 ml)	
		3 kopper (ca. 360 ml)	
A 8	Popcorn	50 g	100% (Mik.)
		100 g	

### 4.10 Hurtig madlavning

1. I ventetilstand trykkes der på tasten "Start/Confirm" for at tilberede med 100 % effektniveau i 30 sekunder. Hvert tryk på den samme tast kan øges i 30 sekunder. Den længste tilberedningstid er 95 minutter.
2. Under mikrobølgeovn, grill, kombinationskogning og optøning efter tid, tryk på "Start/Confirm" for at øge tilberedningstiden.
3. Under tilstande med automatisk menu og optøning efter vægt kan tilberedningstiden ikke øges ved at trykke på "Start/Confirm".
4. I ventetilstand, tryk på "-" for at vælge tilberedningstiden. Når du har justeret tilberedningstiden, skal du trykke på "Start/Confirm" for at starte mikrobølgeovnstilberedning med 100% effekt.

### 4.11 Spørgfunktion

1. I madlavningstilstande med mikrobølge eller grill og kombination. Tryk på "Microwave" eller "Grill+Microwave",

## 4 Betjening

Den aktuelle effekt vises i 3 sekunder.

2. Hvis uret er indstillet i tilberedningstilstand, skal du trykke på "Timer/Clock" for at kontrollere det aktuelle tidspunkt. Det vises i 3 sekunder.

### 4.12 Børnelås

1. **Lås:** I ventetilstand skal du trykke på "Stop/Clear" i 3 sekunder for at gå ind i børnesikringstilstanden, og det aktuelle klokkeslæt vises, hvis tiden er indstillet, ellers vises skærmen "⌚ : : ⌚".
2. **Forlad lås:** I låst tilstand skal du trykke på "Stop/Clear" i 3 sekunder, låsen frigives.

### 4.13 Specifikation

1. Hvis døren åbnes under tilberedningsprocessen, skal du lukke døren og derefter trykke på "Start/Confirm" for at fortsætte tilberedningen.
2. Når tilberedningsprogrammet er indstillet, nedtrykkes "Start/Confirm" ikke i 1 minut. Den aktuelle tid vil blive vist. Timeren slettes.
3. Summeren lyder en gang ved effektivt tryk, ineffektivt tryk giver ingen respons.

### 4.14 Åbning af ovndøren

Tryk på knappen "Åben dæksel", ovndør vil åbne.



## 5 Rengøring og vedligeholdelse

### 5.1 Rengøring og vedligeholdelse



**ADVARSEL:** Brug aldrig benzin, opløsningsmidler, skurerengøringsmidler, metalgenstande eller hårde børster til at rengøre apparatet.



**ADVARSEL:** Apparatet og strømkablet må aldrig lægges i vand eller anden væske.

1. Sluk for maskinen, og træk stikket ud af stikkontakten.
2. Lad apparatet køle helt ned.
3. Hold indersiden af ovnen ren. Tør med en fugtig klud, når der er sprøjtet mad eller spildt væske på væggene i ovnen. Et mildt vaskemiddel kan anvendes, hvis ovnen bliver meget beskidt. Undgå at bruge sprays og andre kraftige rengøringsmidler, da de kan forårsage pletter, mærker og uigennemsiptighed på dørens overflade.
4. Ovnens overflader skal rengøres med en fugtig klud. Lad ikke vand trænge ind fra ventilationsåbningerne for at undgå skader på driftsdele i ovnen.
5. Tør ofte begge sider af døren og glasset, dørpakninger og dele nær pakningerne med en fugtig klud for at fjerne pletter fra spildt eller stænket mad. Undlad at bruge slibende rengøringsmidler.
6. Lad ikke kontrolpanelet blive vådt. Rengør med en fugtig, blød klud. Lad ovndøren stå åben for at forhindre, at ovnen utilsigtet tændes, mens du rengør kontrolpanelet.
7. Hvis damp samles i eller omkring ovndøren, skal den aftørres med en blød klud. Dette kan forekomme, når mikrobølgeovnen betjenes under betingelser med høj fugtighed. Det er ganske normalt.
8. Sommetider kan det være nødvendigt at tage glasbakken ud for at rengøre den. Vask bakken med varmt opvaskevand eller i opvaskemaskine.
9. Rulleringen og ovnens indvendige bund skal rengøres regelmæssigt for at undgå støj. Det er tilstrækkeligt at aftørre overfladen i bunden af ovnen med et mildt rengøringsmiddel. Rulleringen kan vaskes i varmt opvaskevand eller i en opvaskemaskine. Når du tager rulleringen op fra bunden af ovnen i forbindelse med rengøring, skal du sørge for at placere den rigtigt, når du sætter den tilbage i ovnen igen.
10. Hvis du vil fjerne dårlig lugt i ovnen, skal du sætte et glas varmt vand samt en skål med saften og skallen fra en citron i ovnen og tænde ovnen i 5 minutter på mikrobølgefunktion. Aftør, og tør den grundigt af med en blød klud.
11. Kontakt det autoriserede servicecenter, når ovnlampen skal udskiftes.

## 5 Rengøring og vedligeholdelse

12. Ovnen skal rengøres jævnligt, og eventuelle madrester skal fjernes. Hvis ovnen ikke holdes ren, kan det medføre defekter i overfladen, som påvirker apparatets levetid negativt, og det kan eventuelt medføre risici.
13. Bortskaf ikke dette apparat sammen med husholdningsaffald. Brugte ovne skal indleveres på genbrugsstationer, der stilles til rådighed af lokale myndigheder.
14. Når mikrobølgeovnen bruges med grillfunktion, kan der i mindre omfang forekomme røg og lugt, som forsvinder efter en vis tids brug.
15. Når mikroovnen med grillfunktion bruges første gang, kan den give en smule røg og lugt. Dette er et normalt fænomen, fordi ovnen er fremstillet af en stålplade, der er belagt med smøreolie, og den nye ovn vil danne røg og lugt, der skyldes at smøreolien brændes af. Dette fænomen vil forsvinde efter et stykke tid.

### 5.2 Opbevaring

- Hvis du ikke skal bruge apparatet i en længere periode, skal det opbevares med omtanke.
- Sørg for, at apparatet ikke er sluttet til strøm, er kølet helt ned og er helt tørt.
- Opbevar apparatet på et tørt og køligt sted.
- Hold apparatet uden for børns rækkevidde.

### 5.3 Håndtering og transport

- Under håndtering og transport skal apparatet bæres i den originale emballage. Apparatets emballage beskytter det mod fysiske skader.
- Placer ikke tunge ting på apparatet eller emballagen. Apparatet kan blive beskadiget.
- Hvis apparatet tabes, vil det miste funktionsevne eller lide permanent skade.

## 6 Problemløsning

Problem	Mulig årsag	Løsning
Ovnen kan ikke startes.	1) Strømkablet er ikke sat korrekt i stikkontakten.	Tag den ud af stikkontakten. Sæt den i stikkontakten igen efter 10 sekunder.
	2) En sikring er sprunget, eller en kredsafbryder er aktiveret.	Udskift sikringen, eller nulstil kredsafbryderen (skal udføres af professionelt personale fra vores virksomhed).
	3) Problemer med stikkontakten.	Afprøv stikkontakten med andre elektriske apparater.
Ovnen varmer ikke.	4) Døren er ikke lukket ordentligt.	Luk døren ordentligt.
Hvis intet af ovenstående retter op på situationen, tilkald da en kvalificeret tekniker. Forsøg ikke at reparere produktet selv.		

# Läs den här bruksanvisningen först!

Kära kund,

Tack för att du valt denna Cylinda-produkt. Vi hoppas att du får det bästa resultatet från din apparat som har tillverkats med hög kvalitet och den senaste tekniken i världsklass. Läs därför hela bruksanvisningen och alla andra medföljande dokument noga innan du använder apparaten och förvara dem som referens för framtida bruk. Om du överlämnar apparaten till någon annan, ge även instruktionsboken. Följ instruktionerna genom att uppmärksamma all information och varningar i bruksanvisningen.

Kom ihåg att denna bruksanvisning även kan gälla för flera andra modeller. Skillnader mellan modellerna är tydligt angivna i bruksanvisningen.

## Symbolernas betydelse

Följande symboler används i de olika delarna av bruksanvisningen:



Viktig information och användbara tips om användning.



Varning för livsfara och egendom



Varning för heta ytor.



Varning för elchock.



ÅTERVINNINGS- OCH  
ÅTERVINNINGSPAPPER

# 1 Viktiga säkerhets- och miljöinstruktioner

## Viktiga säkerhetsinstruktioner Läs noggrant och spara för kommande behov

### 1.1 Säkerhetsvarningar

Den här delen innehåller säkerhetsinstruktioner som kommer hjälpa dig att skydda dig ifrån risken av brand, elchock, exponering till läckande mikrovågsenergi, personskada eller egendomsskada. Underlåtelse att följa dessa instruktioner kommer att häva alla garantier.

- Cylinda mikrovågsugnar följer tillämpliga säkerhetsstandard; därför ska de, om enheten eller strömkabeln har skadats, ska återförsäljaren, servicecenter eller specialist- och auktoriserad service, för att undvika fara. Felaktig eller okvalificerad reparation kan vara farligt och ursaka fara för användaren.
- Den här apparaten är avsedd att användas i ett hushåll eller i liknande användande såsom:
  - personalkök i affärer, kontor och andra arbetsmiljöer;
  - bondgårdar
  - kunder på hotell, motell och andra boendemiljöer;
  - Rum och frukost-miljöer.
- Den är inte avsedd för kommersiellt eller laboratoriebruk.
- Försök inte att starta ugnen, med dess lucka öppen; du kan exponeras till farlig mikrovågsenergi. Säkerhetslåsen ska inte kopplas ur eller mixtras med.
- Mikrovågsugnen är avsedd till värmning av mat och drycker. Torkning av mat eller kläder och uppvärmning av värme-

# 1 Viktiga säkerhets- och miljöinstruktioner

- kuddar, tofflor, svampar, fuktiga trasor och motsvarande kan leda till personskada eller brandfara.
- Placera inga föremål mellan ugnens framsida och lucka. Låt inte smuts eller rengöringsmedelrester samlas i stängningsytorna.
  - All service, som innehåller borttagning av skyddet mot exponering av mikrovågsenergi måste utföras av auktoriserad person. Alla andra åtgärden kan vara farliga.
  - Produkten är ämnad för kokning, uppvärmning och smältning av mat hemma. Sen får inte användas till kommersiellt bruk.
  - Ugnen är inte ämnad till att värma levande varelser.
  - Använd inte apparaten till torkning av kläder eller kökshanddukar.
  - Använd inte apparaten utomhus, badrum, fuktiga miljöer eller platser där den kan bli blöt.
  - Ingen ansvar eller garantianspråk kan åberopas för skador som uppstår av missbruk eller felaktig användning av produkten.
  - Försök inte att demontera enheten. Inga garantianspråk godkänns för felaktigt använd apparat.
  - Använd bara originalreservdelar eller reservdelar rekommenderade av tillverkaren.
  - Lämna inte enheten utan övervakning, när den är på.
  - Använd alltid apparaten på en stabil, jämn, ren, torr och halksäker yta.
  - Apparaten är inte avsedd att användas med extern timer eller ett separat

# 1 Viktiga säkerhets- och miljöinstruktioner

fjärrkontrollsystem.

- Rengör alla delar, innan första användning. Se informationen i sektionen "Rengöring och underhåll".
- Använd apparaten till dess avsedda bruk och i enlighet med denna bruksanvisning.
- Apparaten blir het under användning. Rör inte i heta delar inne i ugnen.
- Använd inte ugnen tom.
- Matlagningsredskapen kan bli heta, beroende på värme som överförs från värmd mat. Du kan behöva att använda handskar till att hålla redskapet.
- Redskapen ska kontrolleras så, att de passar till användning i mikrovågsugn.
- Placera inte ugnen på spisar eller andra värmealstrande apparater. Den kan skadas och garantin hävas.
- Ånga kan komma ut när lock eller folie öppnas efter användning.
- Apparaten och dess ytor kan bli mycket heta under användning.
- Luckan och yttre glaset kan bli mycket heta under användning.
- Se till, att strömtillförseln överensstämmer med informationen på apparatens typskylt.
- Enda sättet att koppla ur apparaten från strömförsörjningen är att koppla ut stickkontakten ur vägguttaget.
- Använd apparaten endast med jordad vägguttag.
- Använd inte enheten, om strömkabeln eller själva enheten är skadad.
- Använd inte apparaten med förlängningsladd.

## 1 Viktiga säkerhets- och miljöinstruktioner

- Rör aldrig i apparaten eller dess stickkontakt med fuktiga eller blöta händer.
- Apparaten ska installeras så, att kontakten är tillgänglig.
- Förhindra att strömkabeln skadas genom att inte klämma, böja eller låta den skava mot vassa kanter. Håll strömkabeln borta från heta ytor och öppen eld.
- Se till, att strömkabeln inte kan kopplas ur oavsiktligt eller att man kan snava på den, när apparaten används.
- Koppla ur apparaten före rengöring och när den inte används.
- Koppla inte ur stickkontakten genom att dra i kabeln, och vira inte strömkabeln runt apparaten.
- Sänk inte apparaten, strömkabeln eller stickkontakten i vatten eller andra vätskor. Håll den inte under rinnande vatten.
- När mat i plast- eller pappersbehållare värms, håll ett öga på ugnen pga. möjlig tändningsfara.
- Ta bort metalltrådar eller handtag från pappers- eller plastpåsar, innan de placeras i ugnen.
- Om rök uppstår, stäng av och koppla ur apparaten om det är säkert att göra detta, och låt dörren vara stängd för att kväva lågorna.
- Använd inte mikrovågsugnen till förvaring. Lämna inte pappersföremål, matlagingsmaterial eller mat i ugnen när den inte används.
- Nappflaskor och barnmatsburkar ska skakas eller röras om och temperaturen kontrolleras



## 1 Viktiga säkerhets- och miljöinstruktioner

innan konsumtion, för att undvika brännskador.

- Denna apparat är en Grupp 2 Klass B ISM enhet. Grupp 2 innehåller alla ISM (Industriella, Vetenskapliga och Medicinska) enheter, i vilka radiofrekvensenergi genereras och/eller används i form av elektromagnetisk strålning för behandling av material och gnistbehandlingsmaskiner.
- Klass B apparater passar till hushållsanvändning direkt anslutna till lågspänningsströmförsörjning.
- Använd inte matlagningssolja i ugnen. Het olja kan skada ugnens komponenter eller material och orsaka även brännskada.
- Gör hål i mat med tjock skal, så som potatis, zuc-

chini, äpplen och kastanjer.

- Apparaten måste placeras så, att baksidan är vänd mot väggen.
- Fäst vändskivan för att undvika skada, innan apparaten flyttas.
- Ägg i skal och hårdkokta ägg ska inte värmas i mikrovågsugn, då de kan explodera, även efter uppvärmningen har avslutats.

**VARNING:** Om luckan eller dess tätning är skadad, får ugnen inte användas, innan kompetent person har lagat dessa.

**VARNING:** Det är farligt, om annan än en kompetent person utför reparationer eller underhåll, som innehåller borttagning av höljen, som skyddar mot exponering till mikrovågsenergi.

## 1 Viktiga säkerhets- och miljöinstruktioner

**VARNING:** Vätskor och mat får inte värmas i slutna behållare, då de kan explodera.

- Ugnen ska rengöras regelbundet och matrester avlägsnas.
- Minst 20 cm ledigt utrymme ska finnas ovanför apparaten.
- Överkoka inte maten, detta kan leda till brandfara.
- Använd inte kemikalier eller ångtvätt till att rengöra apparaten.
- Vi uppmanar till försiktighet, om apparaten används nära barn eller personer, med begränsad fysisk, sensorisk eller mental kapacitet.
- Denna produkt kan användas av minst 8-åriga barn och personer med begränsad fysisk, sensorisk eller mental kapacitet, eller som saknar

erfarenhet eller kännedom förutsatt, att de är övervakade eller utbildade till att använda produkten på ett säkert sätt och förstår riskerna med detta. Barn ska inte leka med apparaten. Barn får inte rengöra eller underhålla produkten utan övervakning.

- **Kvävningsfara!** Håll förpackningsmaterial borta från barn.
- Pga. av värme, som alstras i grill- eller kombinationslägen, får barn använda dessa lägen bara under övervakning.
- Placera apparaten och strömkabeln så, att barn under 8 år inte kan nå dessa.
- Laga inte mat direkt på glasunderlägget. Lägg maten i / på lämplig köksredskap innan den placeras i ugnen.

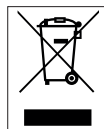
# 1 Viktiga säkerhets- och miljöinstruktioner

- Metallbehållare för mat eller drycker får inte användas i mikrovågsugnen. Detta kan leda till gnistbildning.
- Mikrovågsugnen får inte placeras i skåp som inte är i enlighet med installationsinstruktionerna.
- Mikrovågsugnen är ämnad endast till användning inbyggd.
- Om inbyggd apparat används 900 mm eller högre från golvet, kontrollera att vändskivan inte lossnar från sitt läge, när behållaren tas ut ur apparaten.
- Om den inbyggda produkten är i ett skåp med dörr, ska produkten användas skåpdörren öppen.

## 1.2 I enlighet med WEEE-direktivet för hantering av avfallsprodukter.

Den här produkten gäller under EU WEEE-direktivet (2012/19/EU). Den här produk-

ten är försedd med en klassificeringssymbol för avfallshantering av elektriskt och elektroniskt material (WEEE).



Denna symbol indikerar att denna produkt inte ska kasseras med annat hushållsavfall vid slutet av dess livslängd.

Använd enhet måste returneras till officiell insamlingsplats för återvinning av elektriska och elektroniska apparater. För att lokalisera dessa insamlingssystem, kontakta lokala myndigheter eller den återförsäljare där produkten införskaffades. Varje hushåll spelar en viktig roll för återförande och återvinning av gamla apparater. Lämpligt bortskaffande av använda apparater hjälper till att förhindra eventuella negativa konsekvenser för miljön och människors hälsa.

## 1.3 I enlighet med RoHS-direktivet:

Produkten du har köpt gäller under EU RoHS-direktivet (2011/65/EU). Den innehåller inga av de farliga eller förbjudna material som anges i direktiven.

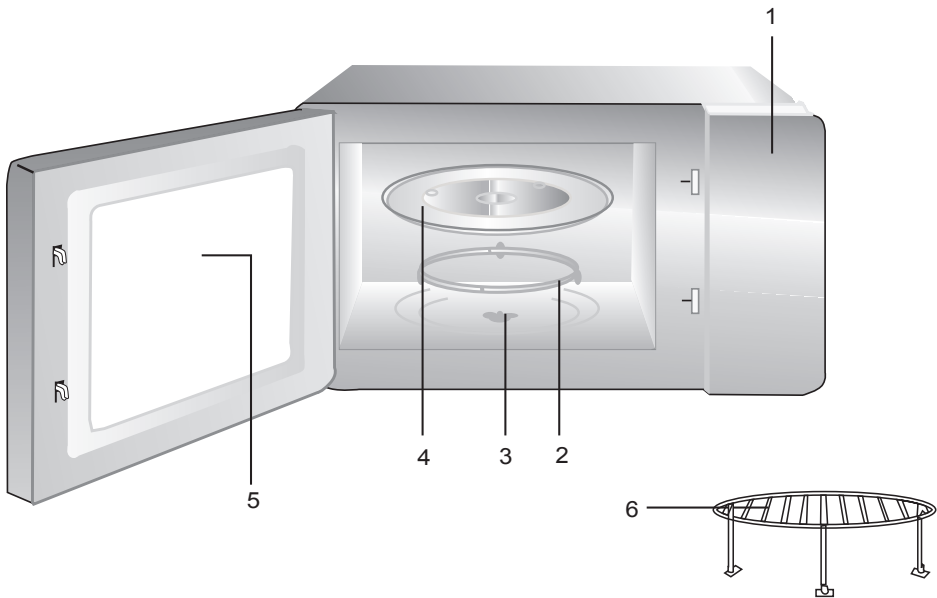
## 1.4 Förpackningsinformation



Förpackningen för din produkt är tillverkad av återvinningsbart material i enlighet med nationella miljöföreskrifter. Kasta inte förpackningsmaterial i hushållsavfall eller annat liknande avfall. Ta dem till ett insamlingsställe för förpackningsmaterial som anvisas av de lokala myndigheterna.

## 2 Din mikrovågsugn

### 2.1 Översikt



### Kontroll och delar

1. Kontrollpanel
2. Tallriksstöd
3. Den roterande tallriksens axel
4. Glasform
5. Ugsnfönster
6. Grillgaller (ska endast användas med grillfunktionen och placeras på glastallriken)

### 2.2 Technical data

<b>Nominell spänning</b>	230 V~50 Hz
<b>Nominell ingång (mikrovågor)</b>	1450 W
<b>Nominell utgång (mikrovågor)</b>	900 W
<b>Grilleffekt</b>	1000 W
<b>Användningsfrekvens</b>	2450 MHz
<b>Ugnskapacitet</b>	25 liter
<b>Nettovikt</b>	17.83 kg
<b>Yttre mått</b>	594*403*380 mm

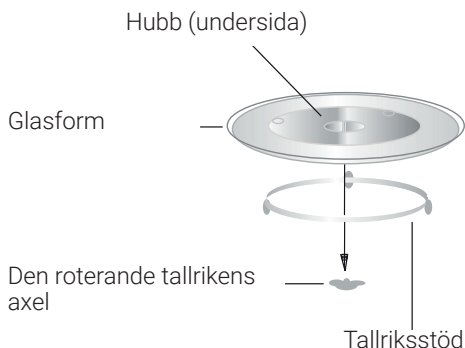
Rättigheter till tekniska och designmodifikationer reserveras.

Värdena som anges på produktens märkningar eller i annat tryckt material som medföljer produkten inhämtas under laboratorieförhållanden enligt relevanta standarder. Dessa värden kan variera beroende på produktanvändning och omgivande förhållanden. Effektvärden testas vid 230 V.

## 2 Din mikrovågsugn

### 2.3 Installation av den roterande tallriken

- Placera aldrig glastallriken upp och ner. Glastallriken får aldrig begränsas.
- Både glastallrik och tallriksstöd måste alltid användas under tillagning.
- All mat och alla behållare med livsmedel måste alltid placeras på glastallriken vid matlagning.
- Om glasbricka eller rullstöd spricker eller går sönder, kontakta närmaste auktoriserade servicecenter.



## 3 Installation och anslutning

### 3.1 Installation och anslutning

- Ta bort allt förpackningsmaterial och tillbehör. Undersök ugnen efter skador såsom bucklor eller trasig lucka. Installera inte om ugnen är skadad.
- Ta bort eventuell skyddsfolie som finns på mikrovågsugnens skåpyta.
- Ta inte bort det ljusbruna Mica-locket som är fäst i ugnsutrymmet för att skydda magnetronen.
- Denna apparat har endast designats för hushållsbruk.
- Denna ugn är endast avsedd för inbyggd användning. Den är inte avsedd för användning på arbetsbänkar eller för användning i ett skåp.
- Beakta de särskilda installationsanvisningarna.
- Apparaten kan installeras i ett 60 cm brett väggmonterat skåp (minst 55 cm djupt och 85 cm från golvet).
- Apparaten är försedd med en kontakt och får endast anslutas till ett korrekt installerat jordat uttag.

- Nätspanningen måste motsvara den spänning som anges på märkplåten.
- Om kontakten inte längre är åtkomlig efter installationen måste en allpolig frånskiljare finnas på installationssidan med en öppning på minst 3 mm.
- Adaptrar, flervägsuttag och förlängningssladdar får inte användas. Överbelastning kan resultera i brandrisk.



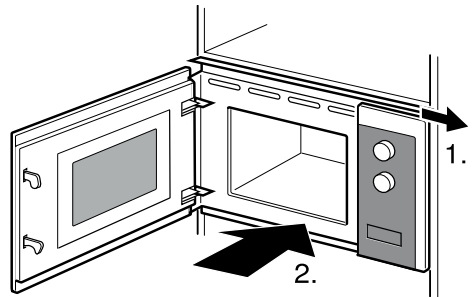
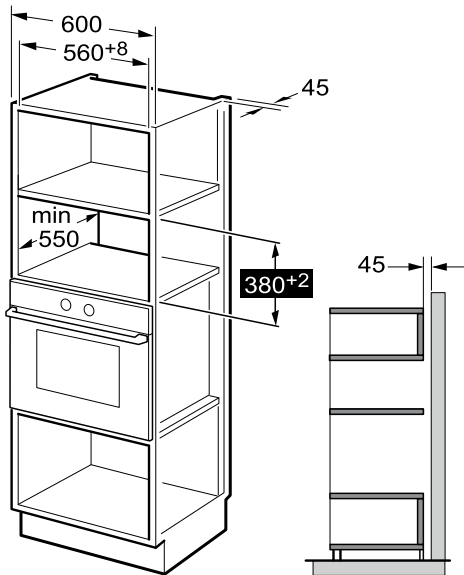
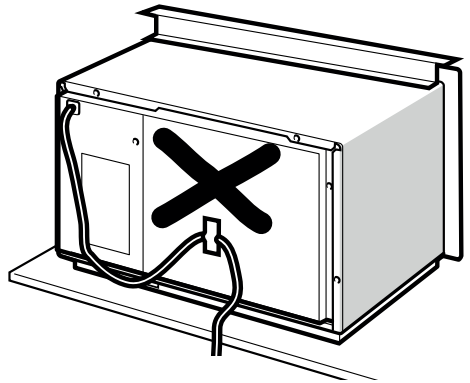
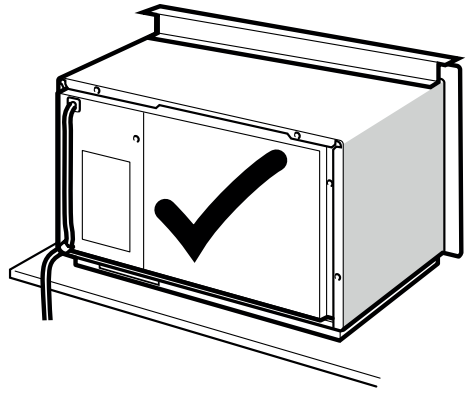
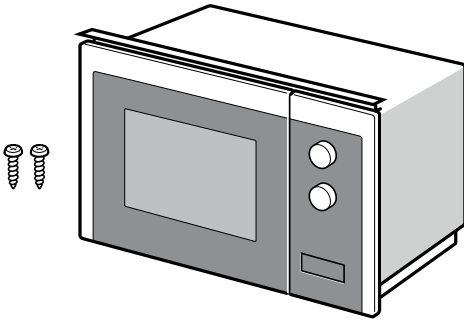
Den tillgängliga ytan kan vara varm under drift.



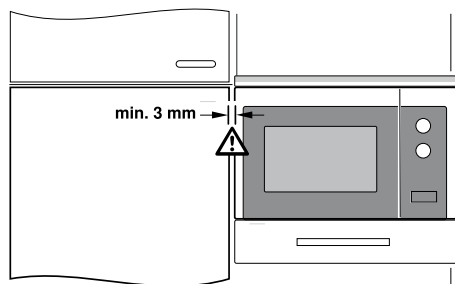
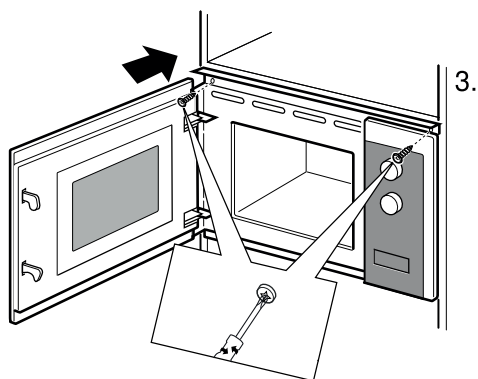
Snärj inte in eller böj strömkabeln.

# 3 Installation och anslutning

## 3.2 Inbyggd installation

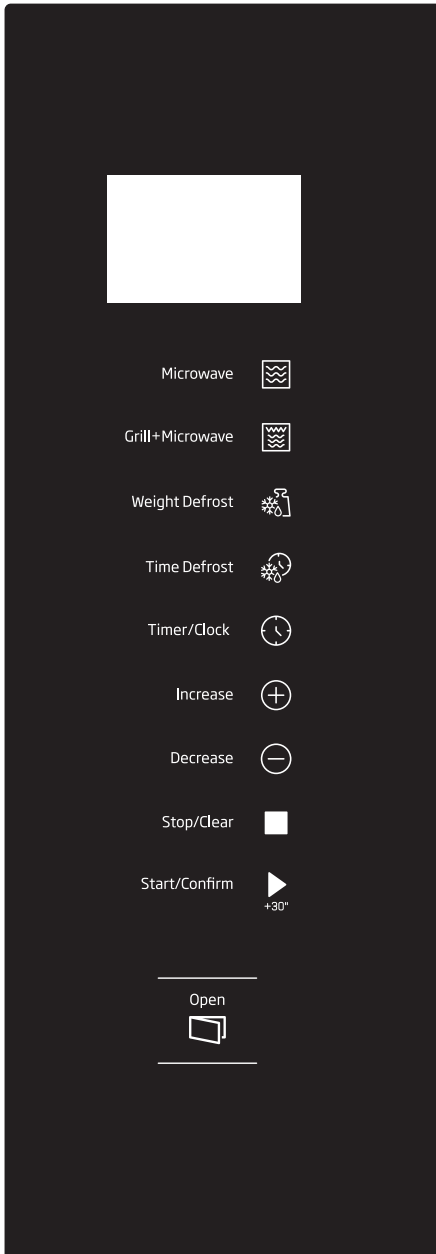


### 3 Installation och anslutning



## 4 Användning

### 4.1 Kontrollpanel



### 4.2 Inställning av klockan

När mikrovågsugnen ansluts till elförsörjningen, visar ugnen "0:00" och summern hörs en gång. Ugnen övergår till vänteläge.

1. Tryck på "Timer/Clock" två gånger, tim-siffrorna blinkar;
2. Tryck på "+" eller "-" för att justera tim-siffrorna, den inmatade tiden ska ligga inom 0--23.
3. Tryck på "Timer/Clock" för att bekräfta, minutsiffrorna blinkar.
4. Vrid "+" eller "-" för att justera minutsiffrorna, den inmatade tiden ska ligga inom 0-59.
5. Tryck på "Timer/Clock" för att avsluta klockinställningen. ":" blinkar. Nuvarande tid visas



Om klockan inte ställs in, fungerar den inte, när strömmen kopplas på.

### 4.3 Matlagning med mikrovågor

1. Tryck på "Microwave" knappen en gång och "P100" visas.
2. Tryck på "Microwave" upprepade gånger eller tryck på "+" eller "-" för att välja mikrovågseffekt. "P100", "P80", "P50", "P30", "P10" visas i turordning.
3. Tryck på "Start/Confirm" för att bekräfta inställningen.
4. Tryck på "+" eller "-" för att justera tillagningstiden. (Maximal kokningstid är 95 minuter.
5. Tryck på "Start/Confirm" för att starta tillagningen.



Om klockan inte är inställd kommer den inte att fungera när den är strömförsörd.



## 4 Användning

Stegen för att ställa in tiden med tangenterna "+" eller "-" är följande:

Inställning av tid	Ökningsmängd
0-1 minuter	5 sekunder
1-5 minuter	10 sekunder
5-10 minuter	30 sekunder
10-30 minuter	1 minut
30-95 minuter	5 minuter

### Mikrovågseffekttabla

Skärm	Mikrovågseffekt
P100	Hög
P80	Med. hög
P50	Med.
P30	Med. låg
P10	Låg

### 4.4 Grill eller kombi. matlagning

1. Tryck på "Grill+Microwave" en gång, skärmen visar "G" och tryck på "Grill+Microwave" upprepade gånger eller tryck på "+" eller "-" för att välja den effekt du vill ha och "G", "C-1" eller "C-2" visas.
2. Tryck på "Start/Confirm" för att bekräfta effekten.
3. Tryck på tangenterna "+" eller "-" för att ställa in tillagningstiden mellan 0:05 och 95:00.
4. Tryck på "Start/Confirm" igen för att starta tillagningen.



**Exempel:** Om du vill använda 55 % mikrovågseffekt och 45 % grilleffekt (C-1) för att laga mat i 10 minuter kan du använda ugnen på följande sätt.

1. Tryck på "Grill+Microwave" en gång, skärmen visar "G".

2. Fortsätt att trycka på "Grill+Microwave" tills skärmen visar "C-1".
3. Tryck på "Start/Confirm" för att bekräfta.
4. Tryck på "+" eller "-" för att justera tillagningstiden tills ugnen visar "10:00".
5. Tryck på "Start/Confirm" för att starta tillagningen.

### Instruktioner för kombinationseffekt

Program	Skärm	Mikrovågseffekt	Grill effekt.
Grill	G	%0	%100
Combi.1	C-1	%55	%45
Combi.2	C-2	%36	%64



Om halva grillningstiden har passerat, hörs två signaler, detta är normalt. För att få en bättre effekt av grillningen bör du vända på maten, stänga dörren och sedan trycka på "Start/Confirm" för att fortsätta tillagningen. Om inget görs, fortsätter ugnen sin funktion.

### 4.5 Tina enligt vikt

1. Tryck på "Weight Defrost" en gång, "dEF1" visas på skärmen.
2. Tryck på "+" eller "-" för att välja matvikt. Viktintervallet är 100-2000 g.
3. Tryck på knappen "Start/Confirm" för att starta upptining.



Om halva tiningstiden har passerat, hörs två signaler, detta är normalt. För att förbättra effekten av tiningen, bör maten vändas, luckan stängas och tryck sedan på "Start/Confirm" för att fortsätta matlagningen. Om inget görs, fortsätter ugnen sin funktion.

#### 4.6 Tina enligt tid

1. Tryck på "Time Defrost" en gång, "dEF2" visas på skärmen.
2. Tryck på "+" eller "-" för att välja tillagningstid. Den maximala tiden är 95 minuter.
3. Tryck på knappen "Start/Confirm" för att starta upptining.



Om halva tiningstiden har passerat, hörs två signaler, detta är normalt. För att förbättra effekten av tiningen, bör maten vändas, luckan stängas och tryck sedan på "Start/Confirm" för att fortsätta matlagningen. Om inget görs, fortsätter ugnen sin funktion.

#### 4.7 Tillagning i flera steg

Högst 2 steg kan ställas in. Om en steg är tining, ska den ställas in som första steg automatiskt. Summern ringer två gånger efter varje steg och nästa steg börjar.



Automatmeny och snabbkokning kan inte väljas i flerstegsläge.



**Exempel:** Om du vill tina maten i 5 minuter, och sedan koka med 80 % mikrovågseffekt i 7 minuter. Stegen är följande.

1. Tryck på "Time Defrost" en gång, "dEF2" visas på skärmen.
2. Tryck på "+" eller "-" för att justera 5 minuter upptining.
3. Tryck på "Microwave" en gång, "P100" visas på skärmen.
4. Tryck på "Microwave" upprepade gånger för att välja mikrovågsugnseffekt tills "P80" visas.
5. Tryck på "Start/Confirm" för att bekräfta.
6. Tryck på "+" eller "-" för att justera 7 minuter tillagning.
7. Tryck på "Start/Confirm" för att starta tillagningen.

#### 4.8 Kökstimer (nedräknare)

Ugnen är utrustad med en automatisk nedräknare, som inte är knuten till ugnens funktioner och kan användas separat i köket (den kan ställas in till max. 95 minuter).

1. Tryck på "Timer/Clock" en gång, skärmen visar "00:00".
2. Tryck på "+" eller "-" för att ange rätt tid. (Maximal kokningstid är 95 minuter.)
3. Tryck på "Start/Confirm" för att bekräfta inställningen.
4. När nedräkningen från inställd tid når 00:00, ljuder summern 5 gånger. Om tiden är inställd (24-timmars system), visas nuvarande tid på LED-skärmen.

## 4 Användning



Kökstimern fungerar på annat sätt än 24-timmars systemet. Kökstimern är bara en timer.

### 4.9 Automatmeny

1. I vänteläge trycker du på "+" upprepade gånger för att välja meny.
2. Tryck på "Start/Confirm" för att bekräfta den valda menyn.
3. Tryck på "+" eller "-" för att välja matvikt.
4. Tryck på "Start/Confirm" för att starta tillagningen.

#### Menytablån

Skärm	Meny	Vikt	Effekt
A 1	Pizza	200 g	C-2
		400 g	
A 2	Kött	250 g	100% (Mik.)
		350 g	
		450 g	
A 3	Grön-saker	200 g	100% (Mik.)
		300 g	
		400 g	
A 4	Pasta	50 g (med 450 g kallt vatten)	80% (Mik.)
		100 g (med 800g kallt vatten)	
A 5	Pota-tis	200 g	100% (Mik.)
		400 g	
		600 g	
A 6	Fisk	250 g	80% (Mik.)
		350 g	
		450 g	

A 7	Drycker	1 kopp (ca. 120 ml)	100% (Mik.)
		2 koppar (ca. 240 ml)	
		3 koppar (ca. 360 ml)	
A 8	Pop-corn	50 g	100% (Mik.)
		100 g	

### 4.10 Snabbkokning

1. I vänteläge trycker du på "Start/Confirm"-knappen för att tillaga mat med 100 % effekt i 30 sekunder. Varje tryckning ökar tiden med 30 sekunder. Maximal kokningstid är 95 minuter.
2. Under mikrovåg, grillning, kombinationsmatlagning och upptining efter tid trycker du på "Start/Confirm" för att förlänga tillagningstiden.
3. När det gäller automatmenyn och upptining enligt vikt kan tillagningstiden inte ökas genom att trycka på "Start/Confirm".
4. I vänteläge trycker du på "-" för att välja tillagningstid. När du har justerat tillagningstiden trycker du på "Start/Confirm" för att starta mikrovågsugns-tillagning med 100 % effekt.

### 4.11 Kontrollfunktion

1. i kokningslägen mikrovåg, grill eller kombination. Tryck på "Microwave" eller "Grill+Microwave", den aktuella effekten visas i 3 sekunder.
2. Om klockan har ställts in kan du trycka på "Timer/Clock" under tillagningen för att kontrollera den aktuella tiden. Den visas i 3 sekunder.

## 4.12 Barnspärr

1. **Lås:** Tryck in vänteläge på "Stop/Clear" i 3 sekunder för att aktivera barnlåset och nuvarande tid visas, om tiden har ställts in, annars visas " : : : : :".
2. **Öppning:** Tryck i låst läge på "Stop/Clear" i 3 sekunder för att öppna låset.

## 4.13 Specifikationer

1. Om luckan öppnas under kokningen, stäng luckan och tryck på "Start/Confirm" för att fortsätta tillagningen.
2. När tillagningsprogrammet har ställts in trycker du inte på "Start/Confirm" inom 1 minut. Nuvarande tid visas. Inställningen tas då bort.
3. Summern ljuder en gång, om den trycks in ordentligt, annars har den ingen effekt.

## 4.14 Öppna ugnsluckan

Tryck på knappen "Öppna luckan", ugnsluckan öppnas.

## 5 Underhåll och rengöring

### 5.1 Rengöring



**VARNING:** Använd aldrig bensen, lösningsmedel, slipande rengöringsmedel, metallföremål eller hårda borstar för att rengöra apparaten.



**VARNING:** Sänk aldrig ned apparaten eller dess strömkabel i vatten eller någon annan vätska.

1. Stäng av apparaten och koppla bort den från vägguttaget.
2. Vänta tills apparaten är helt nedkyld.
3. Håll ugnens insida ren. Torka med en torr trasa om mat spillts ut eller vätskor som skvätt ut har fastnat på ugnsväggarna. Ett mildt rengöringsmedel kan användas om ugnen blir mycket smutsig. Undvik att använda spraymedel och andra starka rengöringsmedel, eftersom de kan orsaka fläckar, märken och ogenomskinlighet på luckans yta.
4. De utvändiga ytorna på ugnen ska rengöras med en fuktig trasa. Låt inte vatten välla ut i ventilationsöppningar för att förhindra skada på ugnens funktionsdelar.
5. Torka ofta av båda sidorna på luckan och glaset, lucktätningarna och delar nära tätningarna med en fuktig trasa för att avlägsna översvämmande rester eller spillfläckar. Använd inte några rengöringsmedel med slipeffekt.
6. Låt inte kontrollpanelen bli våt. Rengör med en mjuk, fuktig trasa. Lämna ugnsluckan öppen för att förhindra oavsiktlig användning vid rengöring av kontrollpanelen.
7. Om ånga samlas i eller runt ugnsluckan ska du torka bort den med en mjuk trasa. Detta kan inträffa när mikrovågsugnen används under förhållanden med hög luftfuktighet. Detta är normalt.
8. I vissa fall kan du behöva ta bort glasplattan för rengöring. Tvätta den i varmt vatten med mild tvållösning eller i diskmaskin.
9. Rullringen och ugnsluckan ska rengöras regelbundet för att undvika buller. Det räcker att torka av nedre ytan på ugnen med ett mildt rengöringsmedel. Rullringen kan tvättas i varmt vatten med mild tvållösning eller i diskmaskin. När du tar bort rullringen från ugnens invändiga botten för rengöring, ska du se till att installera den i rätt position när den läggs tillbaka.
10. För att ta bort dålig lukt ur ugnen ska du ställa in ett glas vatten med saften och skalet av en citron i en djup skål som är lämplig för mikrovågsanvändning och köra ugnen i 5 minuter i mikrovågsläge. Torka noggrant med en mjuk och torr trasa.
11. Kontakta auktoriserad service när ugnslampan ska bytas.
12. Ugnen ska rengöras regelbundet och matrester måste avlägsnas. Om ugnen inte hålls ren kan det orsaka problem med ytorna som kan påverka apparatens livscykel negativt och orsaka eventuella risker.

## 5 Underhåll och rengöring

13. Kasta inte apparaten bland hushållsavfall; gamla ugnar ska kastas på speciella avfallscenter som tillhandahålls av kommunerna.
14. När mikrovågsugnen används i grillfunktionen, kan en liten mängd rök och lukt uppstå som försvinner efter en viss tids användning.
15. När mikrovågsugnen med grillfunktion används för första gången kan det uppstå lite rök och lukt. Detta är ett normalt fenomen eftersom ugnen är tillverkad av en stålplatta som är belagd med smörjolja, och den nya ugnen kommer att producera rök och lukt från förbränning av smörjolja. Detta fenomen kommer att försvinna efter en tids användning.

### 5.2 Förvaring

- Om apparaten inte används under en längre tid ska den förvaras korrekt och skyddat.
- Se till att apparaten är bortkopplad, nedkyld och helt torr.
- Förvara apparaten på en sval och torr plats.
- Förvara enheten utom räckhåll för barn

### 5.3 Hantering och transport

- Bär apparaten i originalförpackningen vid hantering eller transport. Apparatsens förpackning skyddar mot fysiska skador.
- Placera inga tunga laster på apparaten eller förpackningen. Apparaten kan skadas.
- Om man råkar tappa apparaten blir den icke-operativ och man orsakar permanenta skador.

## 6 Felsökning

Problem	Möjlig orsak	Lösning
Ugnen kan inte startas.	1) Strömssladden är inte ordentligt inkopplad.	Koppla ur. Anslut sedan igen efter 10 sekunder.
	2) Säkringen har gått eller överspänningsskyddet är aktiverat.	Byt ut säkringen eller återställ strömbrytaren (repareras av professionell personal i vårt företag).
	3) Problem med uttaget.	Testa uttaget med andra elektriska apparater.
Ugnen värms inte upp.	4) Luckan är stängd på ett korrekt sätt.	Stäng luckan på ett korrekt sätt.
Om ingen av ovanstående åtgärder avhjälper problemet ska du kontakta en kvalificerad tekniker. Försök inte att justera eller reparera ugnen själv.		

## Les denne bruksanvisningen først!

Kjære kunde,

Takk for at du valgte dette Cylinda-apparatet. Vi håper at du får de beste resultatene av produktet, som har blitt produsert med høy kvalitet og topp teknologi. Derfor bør du lese hele denne brukerhåndboken og alle andre tilhørende dokumenter nøye før du bruker produktet og tar vare på den som en referanse for fremtidig bruk. Hvis du overfører produktet videre til noen andre, sørg da også for at brukerhåndboken følger med. Følg instruksjonene ved å være oppmerksom på all informasjon og advarsler i brukerhåndboken.

Husk at denne bruksanvisningen også kan gjelde andre modeller. Forskjeller mellom modellene er nøye forklart i bruksanvisningen.

### Symbolenes betydning

Følgende symboler brukes i de ulike delene av denne brukerhåndboken:



Viktig informasjon og nyttige tips om bruk.



Advarsler for farlige situasjoner angående sikkerhet og eiendom.



Advarsel mot varme overflater.



Advarsel mot elektrisk støt.

# 1 Merknad om sikkerhet og miljøvern

## Viktige sikkerhetsinstruksjoner Les nøye og oppbevare for fremtidig henvisning

### 1.1 Sikkerhetsadvarsler

Dette avsnittet inneholder sikkerhetsinstruksjoner som vil hjelpe å beskytte mot brannfare, elektrisk støte, eksponering mot lekkende mikrobølgeenergi, personskader eller materielle skader. Unnlatelse av å følge disse instruksjonene vil ugyldiggjøre garantien.

- Mikrobølgeovner fra Cylinda oppfyller gjeldende sikkerhetsstandarder. Ved skade på apparatet eller strømkabelen bør det derfor repareres eller skiftes ut av forhandleren, servicesenteret eller en/et spesialist og autorisert serviceverksted for å unngå fare. Mangelfullt

eller ikke-kvalifisert reparasjonsarbeid kan være farlig og føre til risiko for brukeren.

- Dette apparatet er ment å brukes i husholdningen og lignende bruksområder slik som:
  - Kjøkkenområder med personell i butikker, kontorer og andre arbeidsmiljøer;
  - Gårdshus
  - Av kunder i hoteller og andre boligmiljøer;
  - Overnattingssteder med frokost.
- Det er ikke beregnet for industriell eller laboratoriebruk.
- Ikke prøv å starte ovnen når døren er åpen. Ellers kan du bli utsatt for skadelig mikrobølgeenergi. Sikkerhetslåser skal ikke deaktiveres eller tukles med.



# 1 Merknad om sikkerhet og miljøvern

- Mikrobølgeovnen er beregnet på oppvarming av mat og drikke. Tørking av mat eller klær og oppvarming av varmeputer, tøfler, svamper, fuktig klut og lignende kan føre til fare for personskade, antennelse eller brann.
- Ikke plasser gjenstander mellom frontsiden og ovnsdøren. Ikke la rester av smuss eller rengjøringsmiddel bygge seg opp på lukkeflatene.
- Alt servicearbeid som involverer fjerning dekselet som gir beskyttelse mot eksponering for mikrobølgeenergi, må utføres av autoriserte personer/verksteder. Enhver annen tilnærming er farlig.
- Produktet ditt er beregnet på matlaging, oppvarming og tining av mat hjemme. Det må ikke brukes til kommersielle formål.
- Ovnens din er ikke designet for å tørke noe levende vesen.
- Ikke bruk apparatet til å tørke klær eller kjøkkenhåndklær.
- Ikke bruk apparatet uten dørs, i bad, fuktige miljøer eller på steder der det kan bli vått.
- Det skal ikke påtas noe ansvar eller garantikrav for skader som oppstår som følge av feil bruk eller feil håndtering av apparatet.
- Forsøk aldri å demontere apparatet. Ingen garantikrav godtas for skader forårsaket av feil håndtering.
- Bruk bare originale deler eller deler anbefalt av produsenten.
- Ikke la dette apparatet være uten tilsyn mens det er i bruk.

## 1 Merknad om sikkerhet og miljøvern

- Bruk alltid apparatet på en stabil, flat, ren, tørr og sklisikker overflate.
- Apparatet skal ikke betjenes med et eksternt klokkeur eller separat fjernkontrollsystem.
- Før du bruker apparatet for første gang, må du rengjøre alle delene. Se detaljene gitt i "Rengjøring og vedlikehold"-delen.
- Bruk apparatet til det tiltenkte formål kun som beskrevet i denne håndboken.
- Apparatet blir veldig varmt mens det er i bruk. Vær oppmerksom på ikke å berøre de varme delene inne i ovnen.
- Ikke bruk ovnen tom.
- Kokekar kan bli varme på grunn av varmen som overføres fra den oppvarmede maten til redskapet. Du trenger kanskje ovenhansker for å holde redskapet.
- Kjøkkenutstyr skal kontrolleres for å sikre at de er egnet for bruk i mikrobølgeovner.
- Ikke plasser ovnen på komfyrer eller andre varmegenererende apparater. Ellers kan den bli skadet og garantien ugyldig.
- Damp kan komme ut mens du åpner dekslene eller folien etter tilberedning av maten.
- Apparatet og dets tilgjengelige overflater kan være veldig varme når apparatet er i bruk.
- Dør og ytterglass kan være veldig varme når apparatet er i bruk.
- Forsikre deg om at strømforsyningen din er i samsvar med informasjonen som er gitt på apparatets typeskilt.

## 1 Merknad om sikkerhet og miljøvern

- Den eneste måten å koble apparatet fra strømforsyningen på er å fjerne strømpluggen fra stikkontakten.
- Bruk bare apparatet med en jordet stikkontakt.
- Bruk aldri apparatet hvis strømkabelen eller selve apparatet er skadet.
- Ikke bruk dette apparatet med en skjøteledning.
- Ikke berør apparatet eller støpselet med fuktige eller våte hender.
- Plasser apparatet slik at støpselet alltid er tilgjengelig.
- Unngå skade på strømkabelen ved ikke å klemme, bøye eller gni den på skarpe kanter. Hold strømkabelen borte fra varme overflater og åpen ild.
- Forsikre deg om at det ikke er fare for at strømkabelen kan trekkes ved et uhell eller at noen kan snuble over den når apparatet er i bruk.
- Koble fra apparatet før hver rengjøring og når apparatet ikke er i bruk.
- Ikke trekk i strømkabelen til apparatet for å koble den fra strømforsyningen, og vikle aldri strømkabelen rundt enheten.
- Ikke senk apparatet, strømkabelen eller støpselet i vann eller andre væsker. Ikke hold den under rennende vann.
- Når du varmer opp mat i plast- eller papirbeholdere, må du holde øye med ovnen på grunn av antennelsesmulighet.
- Fjern trådstrengene og/eller metallhåndtakene til papir- eller plastposer før du legger poser i ovnen.
- Hvis røyk blir observert, må du slå av eller koble fra apparatet hvis det er

# 1 Merknad om sikkerhet og miljøvern

trygt å gjøre det, og holde døren lukket for å kvele eventuelle flammer.

- Ikke bruk mikrobølgeovn til oppbevaring. Ikke la papirvarer, kokemateriell eller mat være i ovnen når den ikke brukes.
  - Innholdet i mateflasker og babymatkrukker bør røres eller ristes, og temperaturen kontrolleres før bruk, for å unngå brannskader.
  - Dette apparatet er et gruppe 2 ISM-utstyr. Gruppe 2 inneholder alt ISM-utstyr (industrielt, vitenskapelig og medisinsk) der radiofrekvensenergi med bevisst blir generert og/eller brukt i form av elektromagnetisk stråling for behandling av materiale, og gnisterosjonsutstyr.
  - Utstyr av klasse B er egnet for bruk i hjemlige
- virksomheter og virksomheter som er direkte koblet til et lavspenningsforsyningsnett.
- Ikke bruk matolje i ovnen. Varm olje kan skade ovenns komponenter og materialer, og det kan til og med forårsake brannskader.
  - Stikk hull mat med tykk skorpe slik som poteter, courgetter, epler og kastanjer.
  - Apparatet må plasseres slik at baksiden vender mot veggen.
  - Før du flytter apparatet, må du feste dreieskiven for å forhindre skade.
  - Egg i skall og hele hardkokte egg må ikke varmes opp i mikrobølgeovner siden de kan eksplodere, selv etter at mikrobølgeoppvarming er avsluttet.

## 1 Merknad om sikkerhet og miljøvern

**ADVARSEL:** Hvis dør- eller dørpakningene er skadet, må ikke ovnen brukes før den er reparert av en kompetent person.

**ADVARSEL:** Det er farlig for andre enn en kompetent person å utføre service- eller reparasjonsoperasjoner som innebærer fjerning av et deksel som gir beskyttelse mot eksponering for mikrobølgeenergi.

**ADVARSEL:** Væsker og andre matvarer må ikke varmes opp i forseglede beholdere, siden de kan eksplodere.

- Ovnen skal rengjøres regelmessig og eventuelle matavleiringer fjernes.
- Det skal være min 20 cm ledig plass over ovnens toppflate.
- Ikke overstek mat; det kan forårsake brann.
- Ikke bruk kjemikaliser eller dampassisterte ren-

sere til å rengjøre apparatet.

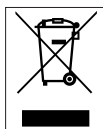
- Ekstrem forsiktighet anbefales når det brukes i nærheten av barn og personer med begrensede fysiske, sensoriske eller mentale evner.
- Dette apparatet kan brukes av barn som er over 8 år og av personer som har begrenset fysisk, sensorisk eller mental kapasitet eller som ikke har kunnskap og erfaring, så lenge de blir overvåket med hensyn til sikker bruk av produktet, eller de blir instruert følgelig eller forstår risikoen ved bruk av produktet. Barn skal ikke leke med produktet. Rengjørings- og vedlikeholdsprosedyrer skal ikke utføres av barn med mindre de overvåkes av sine foreldre.

# 1 Merknad om sikkerhet og miljøvern

- **Fare for kvelning!** Hold alt emballasjemateriale unna barn.
- På grunn av overdreven varme som oppstår i grill- og kombinasjonsmoduser, bør barn bare få lov til å bruke disse modusene under tilsyn av en voksen.
- Hold produktet og strømkabelen utilgjengelige for barn under 8 år.
- Ikke stek mat direkte på glassbrettet. Sett maten i/på passende kjøkkenutstyr før du legger den i ovnen.
- Metalliske beholdere for mat og drikke er ikke tillatt under steking i mikrobølgeovn. Ellers kan gnister oppstå.
- Mikrobølgeovn må ikke plasseres i et skap som ikke overholder installasjonsinstruksjonene.
- Mikrobølgeovn er kun beregnet for innebygd bruk.
- Hvis innebygde apparater brukes like eller høyere enn 900 mm over gulvet, må du passe på ikke å forskyve dreieskiven når du fjerner beholdere fra apparatet.
- Hvis det innebygde produktet er i et skap med en dør, må produktet betjenes med skapdøren åpen.

## 1.2 Samsvar med WEEE-direktivet og Deponering av avfallsproduktet:

Dette produktet er i samsvar med EU-direktivet som omhandler elektronisk og elektrisk utstyr (2012/19/EU). Dette produktet har et klassifiseringsymbol for sortering av avfall elektrisk og elektronisk utstyr (WEEE).



Dette symbolet indikerer at dette produktet ikke skal kastes med annet husholdningsavfall ved slutten av levetiden. Brukt enhet må returneres til offisielt innsamlingssted for gjenvinning av elektriske og elektroniske enheter. For å finne disse innsamlingsstedene, vennligst kontakt din lokale myndighet eller forhandler der produktet ble kjøpt. Hver

# 1 Merknad om sikkerhet og miljøvern

husholdning utfører en viktig rolle i gjenvinning og gjenvinning av gammelt apparat. Passende avhending av brukt apparat bidrar til å forhindre potensielle negative konsekvenser for miljøet og menneskers helse.

## 1.3 Samsvar med RoHS-direktivet:

Produktet du har kjøpt er i samsvar med EU-RoHS-direktivet (2011/65/EU). Det inneholder ingen farlige eller forbudte substanser som er angitt i direktivet.

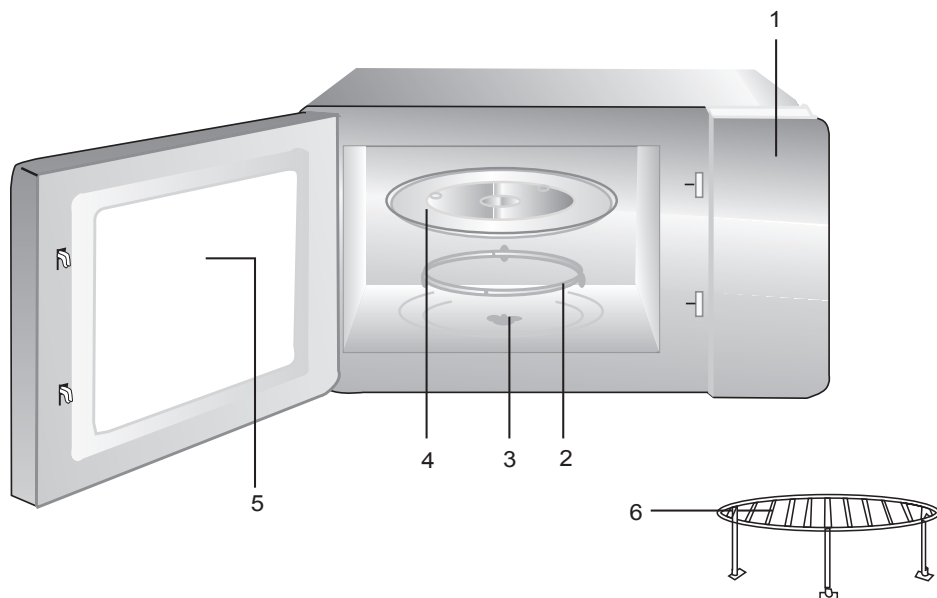
## 1.4 Pakningsinformasjon



Produktpakningen er laget av gjenvinnbare materialer i samsvar med våre nasjonale miljøforskrifter. Ikke kast emballasjen sammen med husholdningsavfall eller annet avfall. Ta dem med til miljøstasjoner som er opprettet av lokale offentlige myndigheter.

## 2 Mikrobølgeovnen

### 2.1 Oversikt



### Kontroller og deler

1. Kontrollpanel
2. Dreihjulstøtte
3. Dreiesjulskaft
4. Glassfat
5. Ovnsvindu
6. Grillrist (kun til bruk med grillfunksjon, og skal plasseres på glassfattet)

### 2.2 Tekniske data

<b>Nominell spenning</b>	230 V~50 Hz
<b>Nominell tilførsel (Mikrobølgeovn)</b>	1450 W
<b>Nominell tilførsel (Mikrobølgeovn)</b>	900 W
<b>Grilleffekt</b>	1000 W
<b>Driftsfrekvens</b>	2450 MHz
<b>Ovnens kapasitet</b>	25 liter
<b>Nettovekt</b>	17.83 kg
<b>Ytre dimensjoner</b>	594*403*380 mm

Tekniske rettigheter og designendring-rettigheter er forbeholdt.

Merkingen på produktet, eller verdiene er oppgitt i papirdokumentasjonen som medfølger produktet, er verdier oppnådd i laboratoriemiljø i henhold til relevante standarder. Disse verdiene kan variere etter bruk av produktet og miljømessige forhold. Strømverdier er testet ved 230 V.



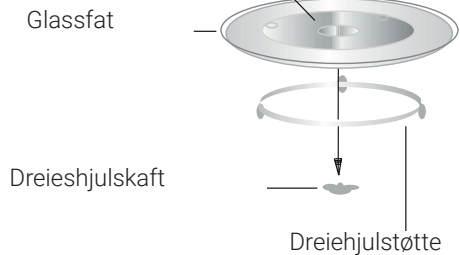
## 2 Mikrobølgeovnen

### 2.3 Montere dreiehjulet

- Glassfatet må aldri settes på opp ned. Glassfatet må alltid kunne beveges fritt.
- Både glassfatet og dreiehjulstøtten må alltid brukes under tilberedning.
- All mat og alle beholdere med mat må alltid settes på glassfatet under tilberedning.
- Hvis glassfatet eller dreiehjulstøtten

sprekker eller ødelegges, må du kontakte nærmeste serviceverksted.

Roterende system (underside)



## 3 Installasjon og tilkobling

### 3.1 Installasjon og tilkobling

- Ta bort all emballasje og tilbehør. Undersøk ovnen for skader, som f.eks. bulker eller ødelagt dør. Ikke installer en skadet ovn.
- Fjern eventuell beskyttelsefilm på utsiden av mikrobølgeovnen.
- Ikke fjern det lysebrune Mica-dekselet som er festet på ovnsrommet for å beskytte elektronrøret.
- Dette apparatet er beregnet på bruk kun i private husholdninger.
- Denne ovnen skal kun brukes som innebygget. Den skal ikke installeres på en benk eller inni et skap.
- Følg de spesielle installeringsinstruksjonene.
- Apparatet kan installeres i et 60 cm bredt veggmontert skap (minst 50 cm dypt og 85 cm over gulvet).
- Apparatet er utstyrt med et støpsel, og skal bare kobles til en jordet stikkontakt.

- Nettspenningen må samsvare med nettspenningen som er oppgitt på typeskiltet.
- Hvis støpselet ikke er tilgjengelig etter installering, må det monteres en bryter som kobler fra alle poler på installasjonssiden, og med et kontaktmellomrom på minst 3 mm.
- Adaptere, flergrenskontakter og forlengelsesledninger må ikke brukes. Overbelastning kan føre til brann.



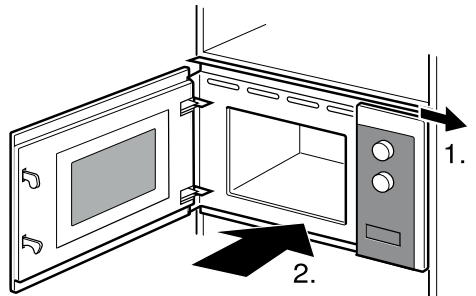
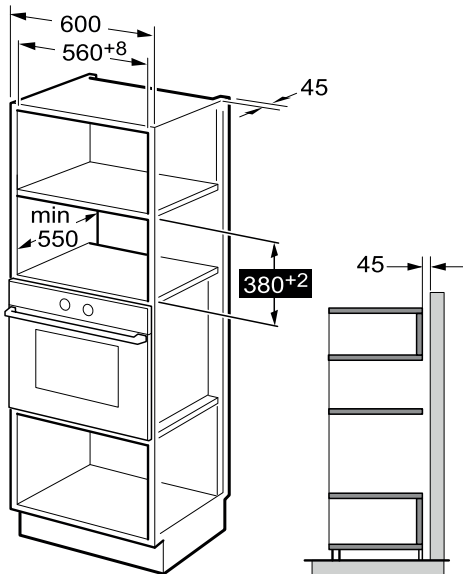
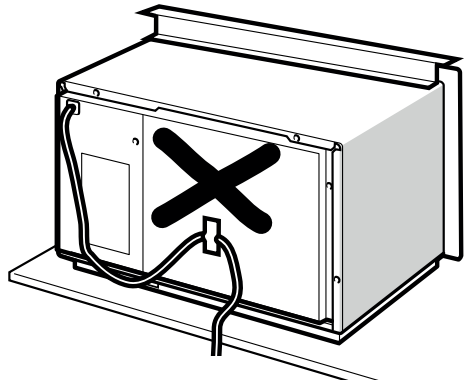
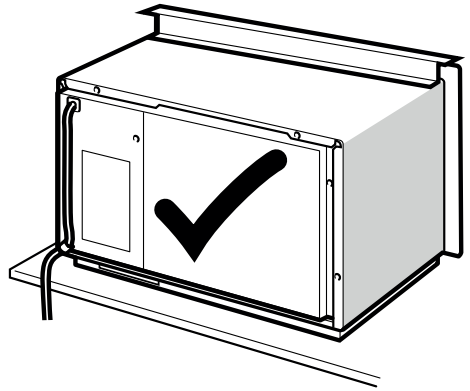
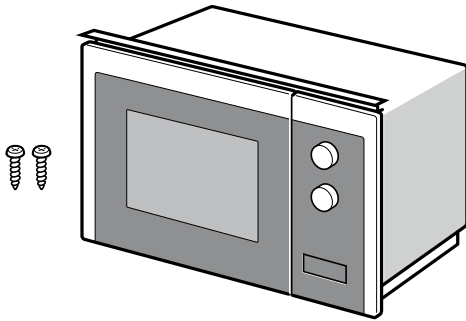
Den tilgjengelige overflaten kan bli varm under bruk.



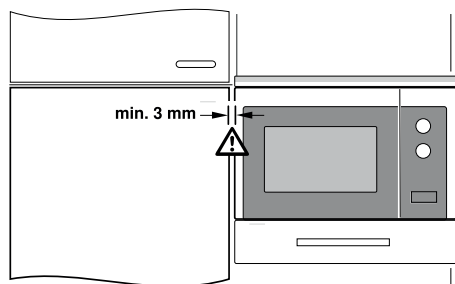
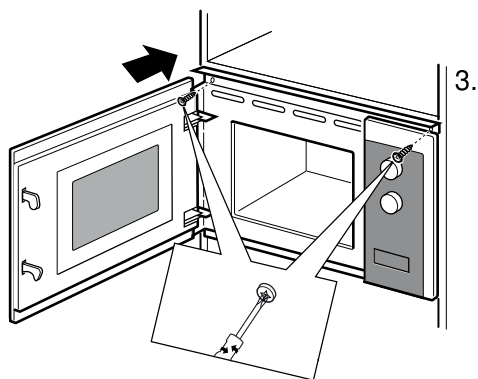
Ikke la strømkabelen komme i klemme eller bli bøyd.

# 3 Installering og tilkobling

## 3.2 Innebygd installasjon

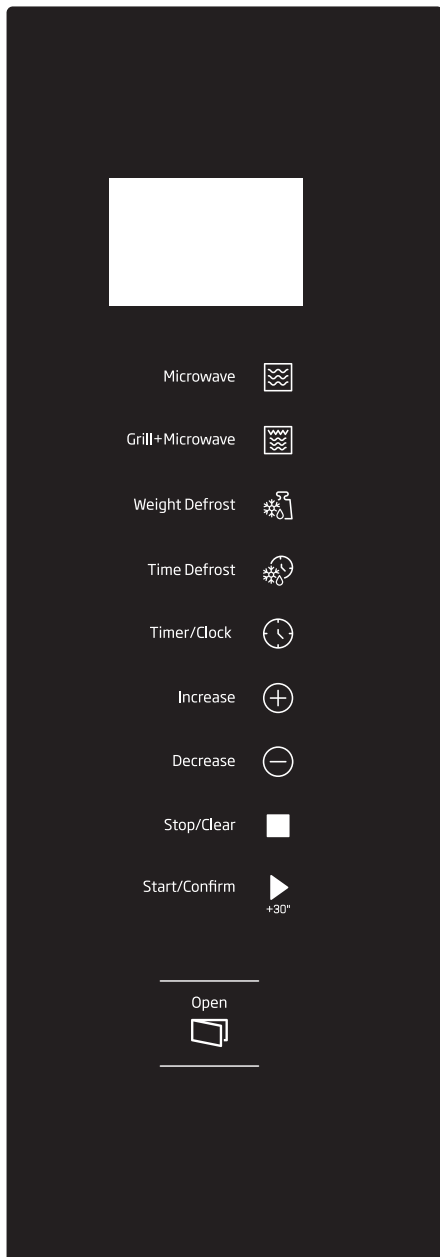


### 3 Installering og tilkobling



## 4 Bruk

### 4.1 Kontrollpanel



### 4.2 Klokkeinnstilling

Når mikrobølgeovnen er elektrifisert, vil ovnen vise "0:00", summeren ringer en gang. Ovnen virker mens du venter.

1. Trykk "Timer/Clock" to ganger, og timetallet begynner å blinke.
2. Trykk "+" eller "-" for å stille timetallet, mellom 0 og 23.
3. Trykk "Timer/Clock" for å bekrefte, og minuttallet begynner å blinke.
4. + Drei "-" for å justere minuttene, inndataverdien skal være mellom 0 og -59.
5. Trykk "Timer/Clock" for å fullføre klokkeinnstillingene. "." begynner å blinke. Gjeldende tid viser nå på displayet.



Dersom klokken ikke er stilt, vil den ikke fungere når den er på.

### 4.3 Mikrobølgsteking

1. Trykk på "Microwave"-tasten en gang, så vil "P100" vises.
2. Trykk "Microwave" gjentatte ganger eller trykk "+" eller "-" for å velge mikrobølgeeffekten. "P100", "P80", "P50", "P30", "P10" vises en etter en.
3. Trykk "Start/Confirm" for å bekrefte.
4. Trykk "-" for å justere steketiden. (Maksimal steketid er 95 minutter)
5. Trykk på "Start/Confirm" for å starte tilberedningen.



Dersom klokken ikke er stilt, fungerer den ikke når den slås på.

Trinnene for timeinnstilling med "+" og "-" er som følger:

Stiller inn varighet	Tilleggsmengde
0-Ett minutt	Fem sekunder

## 4 Bruk

Ett til fem minutter	Ti sekunder
Fem til ti minutter	30 sekunder
10-30 minutter	Ett minutt
30-95 minutter	Fem timer

### Effektdiagram for mikrobølgeovn

Display	Mikrobølgeeffekt
P100	Høy
P80	Med.høy
P50	Med.
P30	Me d.Lav
P10	Lav

### 4.4 Grill- eller kombi.-steking

1. Trykk "Grill+Microwave" én gang, skjermen viser "G", og trykk "Grill+Mikrowave" gjentatte ganger eller trykk "+" eller "-" for å velge ønsket effekt, og "G", "C-1" eller "C-2" vises.
2. Trykk "Start/Confirm" for å bekrefte effekten.
3. Trykk "+" eller "-" -tastene for å stille inn steketiden mellom 0:05 og 95:00
4. Trykk på "Start/Confirm" for å starte tilberedningen.



**Eksempel:** Dersom du ønsker å bruke 55% Mikrobølgeeffekt 45% grill) (C-1) for å tilberede mat i ti minutter, kan du betjene ovnen med følgende trinn.

1. Trykk "Grill+Microwave" en gang, skjermen viser "G".
2. Hold inne "Grill+Microwave" inntil displayet viser "C-1"
3. Trykk "Start/Confirm" for å bekrefte.
4. Trykk "-" for å justere steketiden helt til ovnen viser "10:00.

5. Trykk på "Start/Confirm" for å starte tilberedningen.

### Kombinasjonseffekt-instruksjoner:

Program	Display	Mikrobølgeeffekt	Grill effekt
Grill	G	%0	%100
Kombi.1	C-1	%55	%45
Kombi.2	C-2	%36	%64



Dersom halve grilltiden går, høres ovnen to ganger, og dette er normalt. For å få bedre effekt ved grilling av mat, bør du vende maten, lukke døren og deretter trykke på "Start/Confirm" for å fortsette tilberedningen. Ovnsdriften fortsetter dersom du ikke griper inn.

### 4.5 Tining etter vekt

1. Trykk på "Weight Defrost" en gang, skjermen vil vise "dEF1".
2. Trykk "+" eller "-" for å velge matvekten. Vektområdet er 100-2000g.
3. Trykk "Start/Confirm" for å starte tining av maten.



Når halv tiningstid går, varsler ovnen to ganger. Dette er normalt. For mer effektiv tining, bør du snu maten, lukke døren og deretter trykke på "Start/Confirm" for å fortsette tilberedningen. Ovnsdriften fortsetter dersom du ikke griper inn.

### 4.6 Tining etter tid

1. Trykk "Time Defrost" en gang, skjermen vil vise "dEF2".

## 4 Bruk

- Trykk "+" eller "-" for å velge tilbereningstid. Makstid er 95 minutter.
- Trykk "Start/Confirm" for å starte tining av maten.



Når halv tiningstid går, varslers ovnen to ganger. Dette er normalt. For mer effektiv tining, bør du snu maten, lukke døren og deretter trykke på "Start/Confirm" for å fortsette tilberedningen. Ovnsdriften fortsetter dersom du ikke griper inn.

### 4.7 Flertrinnsmatlaging

To trinn kan stilles maksimalt. Dersom ett trinn er tining, bør den settes i første trinn automatisk. Summeren vil ringe en gang etter hvert trinn og neste trinn vil begynne.



Auto-meny og hurtigsteking kan ikke angis som ett av flettrinnene.



**Eksempel:** Dersom du vil tine maten i fem minutter, må du steke med 80 % mikrobølgeeffekt i syv minutter. Trinnene er som følger.

- Trykk "Time Defrost" en gang, skjermen vil vise "dEF2".
- Trykk "+" eller "-" for justere opptiningstiden med fem minutter.
- Trykk på "Microwave" en gang, skjermen vil vise "P100".
- Trykk "Microwave" gjentatte ganger for å velge mikrobølgeeffekten til "P80" vises på skjermen.
- Trykk "Start/Confirm" for å bekrefte.

- Trykk "-" for å justere steketiden 7 minutter.
- Trykk på "Start/Confirm" for å starte tilberedningen.

### 4.9 Kjøkkenur

Ovnen er utstyrt med et automatisk kjøkkenur som ikke er tilknyttet ovnsfunksjonene og kan brukes for seg selv. Den kan stilles inn på maks. 95 minutter.)

- Trykk på "Timer/Clock" en gang, skjermen viser "00:00".
- Vri på "-" for å stille inn riktig tid. (Maksimal steketid er 95 minutter)
- Trykk "Start/Confirm" for å bekrefte.
- Når nedtellingen for den instilte tiden er 00:00, vil alarmen varsle fem ganger. Dersom tiden er stilt inn (24-timerssystem) vil aktuell tid vises i LED-displayet



Kjøkkenuret fungerer annerledes enn 24-timers systemet. Kjøkkenuret er bare en tidtaker.

### 4.9 Auto-meny

- Mens du venter, trykk "+" gjentatte ganger for å velge meny.
- Trykk "Start/+Confirm" for å bekrefte meny.
- Trykk "+" eller "-" for å bekrefte valgt meny.
- Trykk på "Start/Confirm" for å starte tilberedningen.

#### Menykart:

Display	Meny	Vekt	Effekt
A 1	Pizza	200 g	C-2
		400 g	

## 4 Bruk

A 2	Kjøtt	250 g	100 % (Mik.)
		350 g	
		450 g	
A 3	Grønnsak	200 g	100 % (Mik.)
		300 g	
		400 g	
A 4	Pasta	50 g (med 450 g kaldt vann)	80% (Mik.)
		100 g (med 800g kaldt vann)	
A 5	Potet	200 g	100 % (Mik.)
		400 g	
		600 g	
A 6	Fisk	250 g	80% (Mik.)
		350 g	
		450 g	
A 7	Drikke	1 kopp (120 ml)	100 % (Mik.)
		2 kopper (240 ml)	
		3 kopper (360 ml)	
A 8	Pop-corn	50 g	100 % (Mik.)
		100 g	

### 4.10 Hurtigsteking

- 1.Mens du venter trykker du "Start/Confirm"-tasten for å steke med 100 % effektnivå i 30 sekunder. Hvert trykk på den samme tasten øker med 30 sekunder. Maksimal steketid er 95 minutter.
- 2.Under mikrobølgesteking, grilling, kombinasjonssteking og tining etter tidsprosess, trykk "Start/Confirm" for å øke steketid.

3.Under tilstandene for auto-meny og tining etter vekt kan ikke steketiden økes ved å trykke på "Start/Confirm".

4.Mens du venter, trykk "-" for å velge tilberedningstid. Etter å ha justert steketiden trykker du på "Start/Confirm" for å starte mikrobølgesteking med 100 % strømknapp.

### 4.11 Forespørsselfunksjon

1.1 mikrobølgeovns steketilstand eller grill og kombinasjon. Trykk på "Microwave" eller "Grill+Microwave.", gjeldende effekt vises i tre sekunder.

2.Dersom klokken er innstilt, under tilberedningstilstand, trykker du "Timer/Clock" for å sjekke gjeldende tid. Det vises i tre sekunder.

### 4.12 Barnesikring

1.**Lås:** Mens du venter trykk "Stop/Clear" i tre sekunder for å gå inn i barnesikringstilstand, og gjeldende klokkeslett vises dersom tiden er satt, ellers viser skjermen "E : : J".

2.**Låseslutting:** I låst tilstand trykker du "Stop/Clear" i tre sekunder, låsen løses.

### 4.13 Spesifikasjon

1.Dersom døren åpnes i løpet av tilberedningen, lukker du den og trykker deretter på "Start/Confirm" for å fortsette tilberedningen.

2.Tilberedningsprogrammet stilles inn, når "Start/Confirm" ikke trykkes på ett minutt. Gjeldende klokkeslett vises. Innstillingen avbrytes.

3.Alarmen lyder en gang ved effektivt trykk, ingenting vil skje ved ineffektivt trykk.

## 4 Bruk

### 4.14 Åpning av ovnsdør

Trykk "Open the Cover"-knappen og ovnsdøren åpnes.

## 5 Rengjøring og vedlikehold

### 5.1 Rengjøring



**ADVARSEL:** Bruk aldri bensin, løsemiddel, slipende rengjøringsmidler, metallgjenstander eller harde børster for å gjøre apparatet rent.



**ADVARSEL:** Senk aldri apparatet eller dets ledning ned i vann eller noen væske.

1. Slå av apparatet og koble strømstøpselet fra vegguttaket.
2. Vent til apparatet er helt avkjølt.
3. Hold ovnen ren innvendig. Tørk av ovnen med en fuktig klut hvis matsprut eller væskesøl sitter fast på veggene i ovnen. Hvis ovnen blir svært skitten kan du bruke et mildt rengjøringsmiddel. Unngå bruk av sprayer og andre kraftige rengjøringsmidler. Disse kan gi flekker og merker, og endre døroverflatens gjennomskinnelighet.
4. Ovnens utvendige overflater skal rengjøres med en fuktig klut. Vann må ikke komme inn i ventilasjonsåpningene, for å hindre skade på delens driftskomponenter.
5. Tørk av begge sider av døren og glasset, dørpakninger og delene rundt pakningene ofte med en fuktig klut, for å fjerne flekker fra overkoking og annet søl. Ikke bruk slipende rengjøringsmidler.
6. Sørg for at kontrollpanelet ikke blir vått. Rengjør med en myk, fuktig klut. La døren på ovnen stå åpen for å hindre utilsiktet start av ovnen under rengjøring av kontrollpanelet.
7. Hvis det samler seg damp inni ovnen eller rundt ovnsdøren tørker du den bort med en myk klut. Dette kan oppstå når mikrobølgeovnen brukes under forhold med høy fuktighet. Dette er normalt.
8. En gang i blant må glassfatet tas ut og rengjøres. Vask fatet i varmt såpevann eller i oppvaskmaskin.
9. Rulleringen og bunnen i ovnen må rengjøres regelmessig for å hindre mye støy. Det er tilstrekkelig å tørke av flaten i bunnen av ovnen med et mildt rengjøringsmiddel. Rulleringen kan vaskes i varmt såpevann eller i oppvaskmaskin. Når du tar ut rulle-



## 5 Rengjøring og vedlikehold

- ringen for rengjøring, må du passe på at du setter den på plass igjen på riktig sted.
10. For å fjerne vondt lukt fra ovnen, setter du et glass vann med saft og skall fra en sitron i en dyp bolle som tåler mikrobølgeovn, inn i ovnen og kjører den i fem minutter i mikrobølgemodus. Tørk av grundig, og tørk med en myk klut.
  11. Hvis lampen i ovnen må skiftes ut, må du kontakte et autorisert verksted.
  12. Ovnen må rengjøres regelmessig, og eventuelle matrester må fjernes. Hvis ovnen ikke holdes ren, kan dette føre til skader i overflaten som kan ha negativ innvirkning på apparatets levetid og som kan medføre risiko.
  13. Apparatet skal ikke kastes sammen med husholdningsavfall. Gamle ovner skal leveres på kommunale innsamlingspunkter.
  14. Når du bruker grillfunksjonen, kan det oppstå litt røyk og lukt. Dette forsvinner etter en viss tid.
  15. Når mikrobølgeovnen med grillfunksjon brukes første gang, kan den gi fra seg noe røyk og lukt. Dette er helt normalt fordi ovnen er laget av stålplater som er behandlet med beskyttende oljer, og den nye ovnen produserer duft og røyk fra oljen. Dette fenomenet forsvinner etter en tids bruk.

### 5.2 Oppbevaring

- Hvis du ikke har tenkt å bruke apparatet på lang tid, vennligst vær nøye med hvordan du oppbevarer det.
- Vennligst sørg for at apparatet er koblet fra, avkjølt og helt tørt.
- Oppbevar apparatet på et tørt og kjølig sted.
- Hold apparatet utilgjengelig for barn.

### 5.3 Håndtering og transport

- Oppbevar apparatet i originalemballasjen under håndtering og transport. Emballasjen beskytter apparatet mot fysiske skader.
- Legg ikke tunge gjenstander på apparatet eller på emballasjen. Apparatet kan bli skadet.
- Hvis apparatet mistes, f.eks. i gulvet, kan det slutte å virke eller få permanente skader.

## 6

## Feilsøking

Problem	Mulig årsak	Løsning
Ovnen starter ikke.	1) Strømkabelen er ikke riktig tilkoblet.	Koble den fra. Koble til igjen etter 10 sekunder.
	2) Sikringen er gått, eller kretsbyryteren aktivert.	Skift sikringen eller tilbakestill kretsbyryteren (repareres av fagpersonell eller vårt selskap).
	3) Feil på stikkontakten.	Test stikkontakten med annet elektrisk utstyr.
Ovnen varmer ikke.	4) Døren er ikke skikkelig lukket.	Lukk døren skikkelig.
Dersom ingen av de ovenstående hjelper vennligst kontakt en tekniker. Forsøk ikke å reparere ovnen selv.		

# Lue ensin tämä käyttöopas!

Hyvä asiakas,

Kiitos, että hankit Cylinda-laitteen. Tämä laite on valmistettu korkealaatuisia materiaaleja ja innovatiivista teknologiaa hyödyntäen, ja toivomme, että nautit sen käytöstä. Lue tämä käyttöopas ja kaikki muut laitteen mukaan toimitetut asiakirjat huolellisesti ennen laitteen käytön aloittamista ja säilytä ne mahdollista myöhempää tarvetta varten. Jos laite luovutetaan jollekin kolmannelle osapuolelle, luovuta tämä käyttöopas sen mukana. Noudata ohjeita ja kiinnitä huomiota kaikkiin käyttöoppaassa annettuihin tietoihin ja varoituksiin.

Ota huomioon, että tämä käyttöopas voi käsittää useita muitakin malleja. Mallikohtaiset erot esitetään käyttöoppaassa selvästi.

## Symbolien selitykset

Tässä käyttöoppaassa on käytetty seuraavia symboleja:



Tärkeää tietoa ja hyödyllisiä vinkkejä koskien tuotteen käyttöä.



Varoitukset koskien hengenvaarallisia ja omaisuusvahinkoja koskevia tilanteita.



Varoitus kuumista pinnoista.



Varoitus koskien sähköiskua.



KIERRÄTETTY JA  
KIERRÄTETTÄVÄ  
PAPERI

# 1 Tärkeitä turvallisuutta ja ympäristöä koskevia ohjeita

## Tärkeitä turvallisuusohjeita, lue huolellisesti ja säilytä tulevaa tarvetta varten

### 1.1 Turvallisuusvaroitukset

Tämä osio sisältää turvallisuusohjeita, jotka auttavat suojautumaan tulipalolta, sähköiskulta, altistumiselta mikroaaltoenergialle, henkilö- ja omaisuusvahingoilta. Näiden ohjeiden noudattamatta jättäminen johtaa takuun raukeamiseen.

- Cylinda Mikroaaltouunit noudattavat voimassa olevia turvastandardeja, siksi jälleenmyyjän, huoltokeskuksen tai valtuutetun asiantuntijan on korjattava tai mahdollisesti vaurioitunut laite tai virtajohto, vaaratilanteiden välttämiseksi. Virheellinen tai valtuuttamaton korjaustyö voi olla vaarallista ja aiheut-

taa vaaratilanteita käyttäjälle.

- Tämä laite on tarkoitettu kotitalous- ja vastaavaan käyttöön, kuten
  - Henkilökunnan keittiötiloissa kaupoissa, toimistoissa sekä muissa työympäristöissä;
  - Maatiloilla
  - hotellien, ja muiden asuntoympäristöjen asukkaat
  - Aamiais- ja vastaavan kaltaisten majoitusten keskuudessa.
- Sitä ei ole suunniteltu teollisuus- tai laboratorioikäyttöön.
- Älä yritä käynnistää uunia, jos sen luukku on auki, voit altistua haitalliselle mikroaaltoenergialle. Turvalukkoja ei saa koskaan poistaa käytöstä tai muuttaa.
- Mikroaaltouuni on

tarkoitettu elintarvikkeiden ja juomien lämmittämiseen. Ruokien tai vaatteiden kuivaus ja lämpötyynyjen, tossujen, sienien, kosteiden vaatteiden ja vastaavien lämmitys uunissa voi aiheuttaa henkilö- tai laitevahinkoja, räjähdyksen tai tulipalon.

- Älä aseta mitään esineitä laitteen etuosan ja luukun väliin. Älä anna lika- tai puhdistusainejäämien kerääntyä sulkemispinnoille.
- Valtuutetun henkilön/ huoltoliikkeen on suoritettava kaikki huoltotyöt, joihin liittyy mikroaaltoenergialle altistumiselle suojaavien suojiin irrottaminen. Mikä tahansa muu toiminta on vaarallista.
- Tuote on tarkoitettu ruoan keittämiseen,

lämmittämiseen ja suhlattamiseen. Sitä ei saa käyttää kaupalliseen tarkoitukseen.

- Uunia ei ole tarkoitettu elävien olentojen kuivaamiseen.
- Älä käytä laitetta vaatteiden tai keittiöpyyhkeiden kuivaamiseen.
- Älä käytä laitetta ulkona, kylpyhuoneessa, kosteissa tiloissa tai paikoissa, joissa se voi kastua.
- Emme hyväksy vastuuta tai takuuvaatimuksia vaurioista, jotka johtuvat laitteen väärinkäytöstä tai virheellisestä käsittelystä.
- Älä koskaan yritä purkaa laitetta. Emme hyväksy takuuvaatimuksia vaurioista, jotka johtuvat laitteen tarkoituksenvastaisesta käsittelystä.

- Käytä vain valmistajan suosittelemia tai alkupe- räisiä varaosia.
- Älä jätä laitetta ilman val- vontaa käytön aikana.
- Käytä laitetta vakaalla, tasaisella, puhtaalla, kui- valla ja luistamattomalla pinnalla.
- Tätä laitetta ei saa ohjata ulkoisella kel- loajastimella tai kauko- säätimellä.
- Puhdista kaikki osat ennen laitteen ensim- mäistä käyttökertaa. Katso ohjeet osassa "Puhdistus ja kunnossa- pito".
- Käyttö laitetta vain sen käyttötarkoituksen mu- kaisesti käyttöohjeessa kuvatulla tavalla.
- Laite kuumentuu käytön aikana. Varo koskemasta uunin sisällä oleviin kuu- miin osiin.
- Älä käytä uunia tyhjänä.
- Ruoanvalmistusvälineet voivat kuumentua läm- mitettävästä ruoasta nii- hin siirtyvästä lämmöstä johtuen. Käytä tarvit- taessa käsineitä ruo- anvalmistusvälineiden käsittelyssä.
- Ruoanvalmistusvälineet tulee tarkastaa mikro- aaltouunissa käyttöön soveltuvuuden varmista- miseksi.
- Älä aseta uunia lieden tai muun lämpöä muo- dostavan laitteen päälle. Muutoin se voi vaurioitua ja takuu mitätöityä.
- Höyryä voi syntyä, kun kansi tai folio avataan ruoan valmistamisen jäl- keen.
- Laite ja sen pinnat voivat olla erittäin kuumia sen käytön aikana.
- Luukku ja sen lasi voivat

olla erittäin kuumia sen käytön aikana.

- Varmista, että virransyöttö vastaa laitteen arvokilvessä esitettyjä tietoja.
- Ainoa tapa irrottaa laite virransyötöstä on irrottaa virtapistoke pistorasiasta.
- Liitä laite vain maadoitettuun pistorasiaan.
- Älä käytä laitetta, jos virtajohto tai itse laite on vahingoittunut.
- Älä käytä laitetta jatkojohdon kanssa.
- Älä koskaan koske laitteeseen tai sen virtapistokkeeseen kosteilla tai märillä käsillä.
- Laite on sijoitettava niin, että virtapistokkeeseen päästään käsiksi.
- Älä aseta virtajohtoa puristuksiin, taivuta sitä ja estä sen hankaantuminen teräviä reunoja vastaan. Pidä virtajohto etäällä kuumista pinnoista ja avotulesta.
- Varmista, että virtajohtoa ei voida irrottaa vahingossa tai että siihen ei voida kompastua laitteen käytön aikana.
- Irrota laite virransyötöstä, ennen sen puhdistamista ja kun se ei ole käytössä.
- Älä irrota laitteen virtajohtoa virransyötöstä siitä vetämällä tai kääri sitä laitteen ympärille.
- Älä upota laitetta, virtajohtoa tai virtapistoketta veteen tai muihin nesteisiin. Älä pidä sitä juoksevan veden alla.
- Syttymisvaaran vuoksi uunia on pidettävä silmällä, jos ruokaa lämmitetään muovi- tai paperiastioissa.

- Irrota metallikiinnikkeet paperisista tai muovisista säilytysastioista/pusseista ennen niiden laittamista uuniin.
- Jos huomaat savua, sammuta laite, jos tämä on turvallista tai irrota verkkopistoke ja pidä luukku kiinni, jotta liekit tukahtuvat.
- Älä käytä mikroaaltouunia varastointitarkoitukseen. Älä jätä paperiesineitä, keittomateriaaleja tai ruokaa uunin sisään, kun sitä ei käytetä.
- Vauvojen pullojen ja ruokapurkkien sisältö tulee ravistella ja sekoittaa ja niiden lämpötila on tarkastettava ennen käyttöä palovammojen välttämiseksi.
- Tämä laite on Ryhmän 2 Luokan B ISM laite. Ryhmään 2 kuuluu kaikki ISM (teollisuuden, tieteen ja lääketieteen) laitteet, joissa luodaan radiotaajuusenergiaa tarkoituksella ja/tai sähkömagneettisen säteilyn luomiseen materiaalien käsittelyyn ja kipinäeroosiolaitteille.
- Luokan B laite sopii käyttöön kotitalouksissa ja tiloissa, joissa se liitetään suoraan pienjänniteverkkoon.
- Älä käytä paistoöljyä uunissa. Kuuma öljy voi vaurioittaa uunin komponentteja ja materiaaleja, ja johtaa palovammoihin.
- Lävistä elintarvikkeet paksulla kuorella, kuten perunat, kesäkurpitsat, omenat ja kastanjat.
- Laite on sijoitettava niin, että sen takaosa on seinää päin.



# 1 Tärkeitä turvallisuutta ja ympäristöä koskevia ohjeita

- Kiinnitä kääntöpöytä ennen laitteen siirtämistä, sen vaurioitumisen välttämiseksi.
- Kuorimattomia kananmunia tai kokonaisia kovaksi keitettyjä munia ei saa kuumentaa mikroaaltouunissa, koska ne voivat räjähtää vielä kypsentämisen päätyttyäkin.

**VAROITUS:** Jos uuninluuku tai luukun tiivisteet ovat vaurioituneet, uunia ei saa käyttää ennen kuin ammattihenkilö on sen korjannut.

**VAROITUS:** Huolto- tai korjaustoimenpiteet, jotka edellyttävät mikroaaltouunin energialta suojaavan kannen poistamista, ovat vaarallisia muille kuin ammattihenkilölle.

**VAROITUS:** Nesteitä ja muita ruokia ei saa kuumentaa umpinaisissa astiois-

- sa räjähdysvaaran vuoksi.
- Uuni tulee puhdistaa säännöllisesti ja poistaa kaikki ruokajäämät.
- Uunin yläpinnan yläpuolella tulee olla vähintään 20 cm:n vapaa tila.
- Älä ylikeitä ruokaa, se voi johtaa tulipaloon.
- Älä käytä kemikaaleja ja höyrypuhdistinta laitteen puhdistamiseen.
- Ole erittäin varovainen, kun laitetta käytetään lasten ja sellaisten henkilöiden läheisyydessä, joiden fyysinen, aistillinen tai henkinen kyky on rajoitettu.
- Tätä laitetta ei saa käyttää alle 8 vuotiaat lapset ja henkilöt joiden fyysiset, aistinvaraiset tai henkiset kyvyt ovat alentuneet, tai joilla ei ole riittävää kokemusta tai tietoa, paitsi jos hei-

dän turvallisuudestaan vastaava henkilö valvoo tai neuvoo heitä laitteen käytössä. Älä anna lasten leikkiä laitteella. Lapset ilman valvontaa eivät saa suorittaa puhdistus- tai kunnossapitotoimintoja.

- **Tukehtumisvaara!** Pidä kaikki pakkausmateriaalit poissa lasten ulottuvilta.
- Johtuen grilli- ja yhdistelmätiloista syntyvästä korkeasta lämmöstä, lapset saavat käyttää näitä tiloja vain aikuisen valvonnassa.
- Pidä tuote ja sen virtajohto alle 8-vuotiaiden lasten ulottumattomissa.
- Älä valmista ruokaa suoraan lasialustalla. Aseta ruoka sopivaan keittoastiaan ennen sen sijoittamista uuniin.

- Metallisia ruoka- ja juomasäiliöitä ei saa käyttää mikroaaltokypsennykseen. Tämä voi johtaa kipinöintiin.
- Mikroaaltouunia ei saa asentaa kaappiin, joka ei ole asennusohjeiden mukainen.
- Mikroaaltouuni on yksinomaan upotettava malli.
- Jos upotettavia laitteita käytetään yli 900 mm:n korkeudella lattiasta, varo ettei kääntöpöytä siirry pois paikaltaan, kun säiliötä poistetaan laitteesta.
- Jos sisäänrakennettava kaappi on varustettu ovella, on tuotetta käytettävä ovi avattuna.

## 1.2 Sähkö- ja elektroniikkaromua koskevan direktiivin (WEEE) vaatimustenmukaisuus ja tuotteen hävittäminen:

Tämä tuote noudattaa Euroopan unionin sähkö- ja elektroniikkaromua koskevaa direktiiviä 2012/19/EY (WEEE-direktiivi). Tässä tuotteessa on sähkö- ja elektroniikkalaitteiden (WEEE) kierrätysymboli.



Tämä symboli ilmoittaa, että tuotetta ei tule sen käyttöään päätyttyessä hävittää tavanomaisen kotitalousjätteen mukana.

Tuote tulee toimittaa viralliseen sähkö- ja elektroniikkalaitteiden kierrätyspisteeseen. Tietoja paikallisista kierrätyspisteistä saat paikallisilta viranomaisilta ja myymälästä, josta tuote on ostettu. Kotitalouksilla on tärkeä rooli vanhojen laitteiden keräämisessä ja kierrättämisessä. Kun hävität käytetyt laitteet vaatimusten mukaisella tavalla olet mukana torjumassa tällaisista laitteista aiheutuvia ympäristö- ja terveyshaittoja.

## 1.3 RoHS-direktiivin vaatimustenmukaisuus:

Valitsemasi tuote noudattaa Euroopan unionin tiettyjen vaarallisten aineiden käytön rajoittamisesta sähkö- ja elektroniikkalaitteissa koskevaa direktiiviä 2011/65/EY (RoHS-direktiivi). Laite ei sisällä direktiivissä määritettyjä haitallisia ja kiellettyjä materiaaleja.

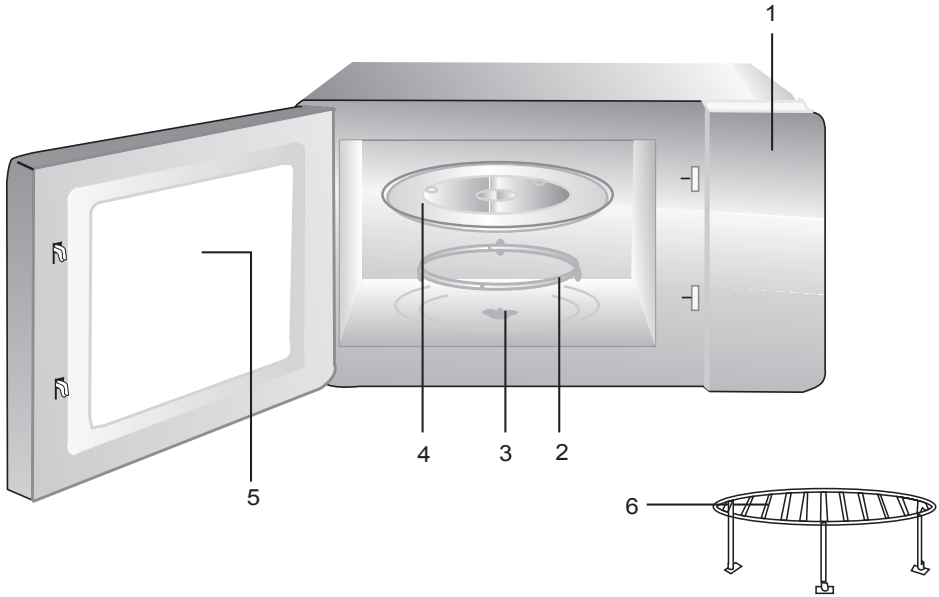
## 1.4 Pakkaustiedot



Tuotteen pakkaus on valmistettu kierrätettävistä materiaaleista paikallisen lainsäädännön

mukaisesti. Älä hävitä pakkausmateriaaleja yhdessä muiden kotitalousjätteiden tai muiden jätteiden kanssa. Vie pakkausmateriaalit paikallisten viranomaisten ilmoittamiin keräyspisteisiin.

## 2.1 Yleiskatsaus



## Ohjaimet ja osat

1. Ohjauspaneeli
2. Pyörivän lautasen tuki
3. Pyörivän lautasen akseli
4. Lasinen alusta
5. Uunin ikkuna
6. Grilliritilä (käytetään vain yhdessä grillaustoiminnon kanssa ja sijoitetaan lasiselle alustalle)

## 2.2 Tekniset tiedot

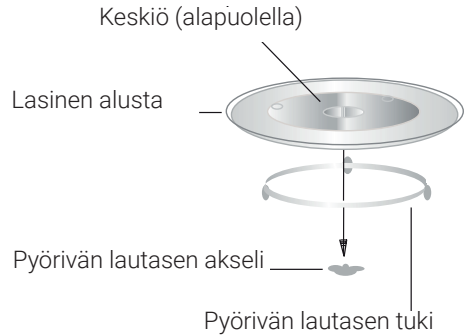
<b>Nimellisjännite</b>	230 V~50 Hz
<b>Nimellistulo (Mikroaalto)</b>	1450 W
<b>Nimellislähtö (Mikroaalto)</b>	900 W
<b>Grillin teho</b>	1000 W
<b>Käyttötaajuus</b>	2450 MHz
<b>Uunin kapasiteetti</b>	25 litraa
<b>Nettopaino</b>	17.83 kg
<b>Ulkomitat</b>	594*403*380 mm

Oikeus teknisiin ja muotoilun muutoksiin pidätetään.

Tuotteen merkinnöissä tai muussa tuotteen toimitukseen kuuluvassa painetussa materiaalisissa ilmoitetut arvot on saatu laboratorio-olosuhteissa asiaankuuluvien standardien mukaisesti. Nämä arvot voivat vaihdella laitteen käyttö- ja ympäristöolosuhteiden mukaan. Tehoarvot on testattu käyttäen 230 V:n jännitettä.

### 2.3 Kääntyvän lautasen asentaminen

- Älä koskaan asenna lasista alustaa väärinpäin. Lasisen alustan liikettä ei koskaan saa rajoittaa.
- Lasista alustaa ja sen kannatinta tulee aina käyttää kypsennyksen aikana.
- Kaikki ruoat ja ruokaa sisältävät astiat tulee aina sijoittaa lasiselle alustalle kypsentämistä varten.
- Jos lasinen alusta tai sen kannatin halkeavat tai murtuvat, ota yhteyttä lähimpään valtuutettuun huoltokeskukseen.



## 3 Asennus ja liitännä

### 3.1 Asennus ja liitännä

- Irrota kaikki pakkausmateriaalit ja lisävarusteet. Tarkista ettei uunissa ole vaurioita kuten lommoja tai rikkiäistä luukkuja. Älä asenna uunia jos se on vaurioitunut.
- Irrota kaikki suojakalvot mikroaaltouunikaapin pinnalta.
- Älä poista vaaleanruskeaa mica-eristemateriaalia, joka on kiinnitetty uunin sisään magnetronin suojaamiseksi.
- Tämä laite on suunniteltu vain kotitalouskäyttöä varten.
- Tämä uuni on tarkoitettu ainoastaan sisäänrakennettuun käyttöön. Sitä ei ole tarkoitettu käytettäväksi pöydän päällä tai kaapissa.
- Noudata erityisiä asennusohjeita.
- Laite voidaan asentaa 60cm leveän, seinään kiinnitettävän kaapin sisään (joka on ainakin 55 cm syvä ja 85 cm lattiatason yläpuolella).

- Laitteessa on pistoke ja se tulee kytkeä ainoastaan oikein asennettuun maadoitettuun pistorasiaan.
- Pistorasian jännitteen on vastattava laitteen tyyppikilvessä annettuja arvoja.
- Jos pistoketta ei ole enää vapaasti saatavilla asennuksen jälkeen, moninapainen eristyskytkin jonka kosketusväli on vähintään 3 mm, tulee olla paikoillaan asennuspuolella.
- Sovittimia, jakorasioita ja jatkojohtoja ei tule käyttää. Mikroaaltouunin ylikuormitus voi aiheuttaa tulipalovaaran.



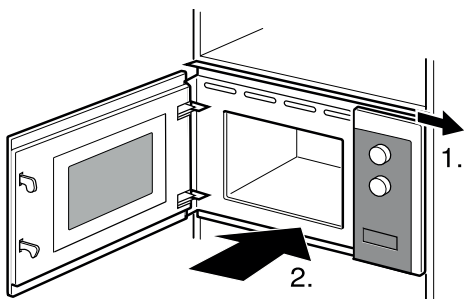
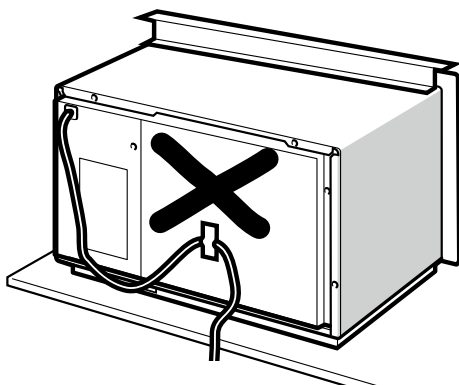
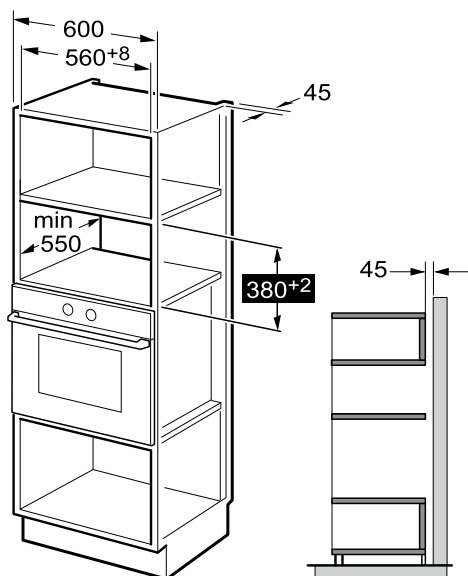
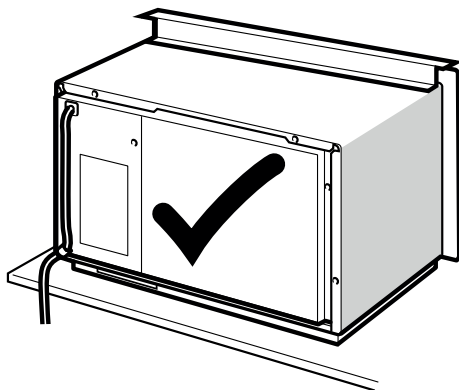
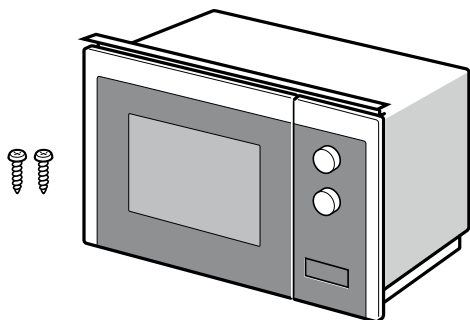
Laitteen käytettävissä olevat pinnat voivat kuumentua käytön aikana.



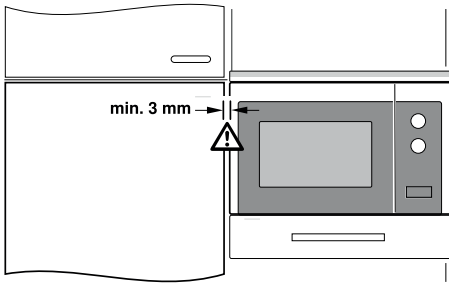
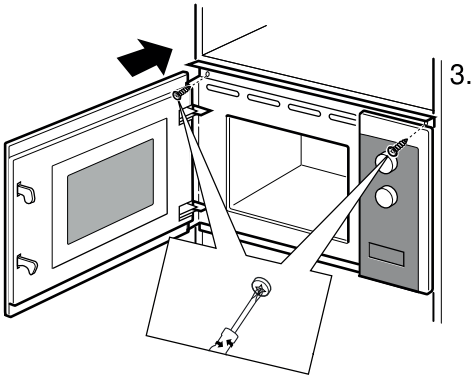
Älä jätä verkkojohtoa puristuksiin tai taita sitä.

# 3 Asennus ja liitäntä

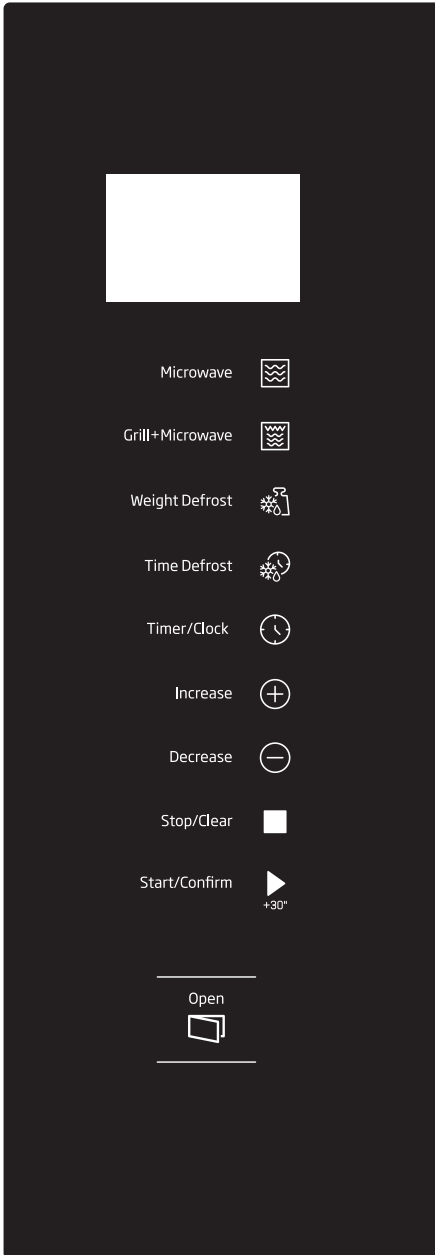
## 3.2 Sisäänrakennettu asennus



### 3 Asennus ja liitäntä



## 4.1 Ohjauspaneeli



## 4.2 Kellon asetukset

Kun mikroaaltouunin virta on päällä, uunin näytöllä vilkkuu "0:00, ja äänimerkki kuuluu kerran. Uuni siirtyy valmiustilaan.

1. Paina "Timer/Clock" kahdesti, tuntikuvake alkaa vilkkua;
2. Paina "+" tai "-" tuntikuvakkeen säätämiseksi. Ajan tulee olla 0--23 välillä.
3. Paina "Timer/Clock" vahvistaaksesi, minuuttikuvake alkaa vilkkua.
4. Kierrä "+" tai "-" minuuttien säätämiseksi. Arvon tulee olla välillä 0 ja 59.
5. Paina "Timer/Clock" kellon asettamisen lopettamiseksi. "." vilkkuu. Nykyinen aika näytetään.



Jos kelloa ei ole asetettu, se ei toimi, kun virta kytketään.

## 4.3 Ruoanvalmistus mikroaaltouunissa

1. Paina "Microwave" näppäintä kerran, ja "P100" näytetään.
2. Paina "Microwave" toistuvasti tai "+" tai "-" mikroaaltotehon valitsemiseksi. "P100", "P80", "P50", "P30", "P10" näytetään peräkkäin.
3. Vahvista asetukset painamalla "Start/Confirm" asetukset.
4. Paina "+" tai "-" kypsennysajan asettamiseksi. (Maksimikypsennysaika on 95 minuuttia)
5. Paina "Start/Confirm" kypsennyksen aloittamiseksi.



Jos kelloa ei ole asetettu, se ei toimi, kun virta kytketään.



## 4 Käyttö

Ajan asettamisvaiheet "+" tai "-" näppäimillä ovat seuraavat:

Keston asetus	Lisäysmäärä
0-1 minuuttia	5 sekuntia
1-5 minuuttia	10 sekuntia
5-10 minuuttia	30 sekuntia
10-30 minuuttia	1 minuutti
30-95 minuuttia	5 minuuttia

### Mikroaaltouunin tehokaavio

Näyttörüutu	Mikroaaltouunin teho
P100	Korkea
P80	Keski. korkea
P50	Keski.
P30	Keski. matala
P10	Matala

### 4.4 Grilli tai yhdistelmäkypsennys

1. Paina "Grill+Microwave" kerran, näytöllä näkyy "G", ja paina "Grill+Microwave" toistuvasti tai paina "+" tai "-" halutun tehon valitsemiseksi ja näytöllä näkyy "G", "C-1" tai "C-2".
2. Vahvista teho painamalla "Start/Confirm".
3. Paina "+" tai "-" näppäimiä kypsennysajan asettamiseksi välillä 0:05 ja 95:00.
4. Paina "Start/Confirm" kypsennyksen aloittamiseksi.



**Esimerkki:** Jos haluat käyttää 55 % mikroaaltotehoa ja 45 % grillitehoa (C-1) 10 minuutin kypsentämiseen, voit käyttää uunia seuraavalla tavalla.

1. Paina "Grill+Microwave" kerran, näytöllä näkyy "G".

2. Jatka "Grill+Microwave" painamista, kunnes näytöllä näkyy "C-1".
3. Vahvista painamalla "Start/Confirm".
4. Paina "+" tai "-" kypsennysajan säätämiseksi, kunnes näytöllä näkyy "10.00".
5. Paina "Start/Confirm" kypsennyksen aloittamiseksi.

### Yhdistelmätehon ohjeet:

Ohjelma	Näyttörüutu	Mikroaaltouunin teho	Grilli teho
Grilli	G	%0	%100
Yhd.1	C-1	%55	%45
Yhd.2	C-2	%36	%64



Kun grillausajasta on kulunut puolet, uunin merkkiäni kuuluu kahdesti. Tämä on normaalia. Paremman grillaustuloksen saamiseksi käännä ruoka, sulje luukku ja paina "Start/Confirm" kypsennyksen jatkamiseksi. Jos toimintoja ei suoriteta, uuni pysyy toiminnassa.

### 4.5 Sulatus painon mukaan

1. Paina "Weight Defrost" kerran, näytöllä näkyy "dEF1".
2. Paina "+" tai "-" ruoan painon valitsemiseksi. Painoalue on 100 - 2000 g.
3. Paina "Start/Confirm" näppäintä sulatuksen aloittamiseksi.



Kun sulatusajasta on kulunut puolet, uunin merkkiäni kuuluu kahdesti. Tämä on normaalia. Paremman sulatustuloksen saamiseksi käännä ruoka, sulje luukku ja paina "Start/Confirm" sulatuksen jatkamiseksi. Jos toimintoja ei suoriteta, uuni pysyy toiminnassa.

### 4.6 Sulatus ajan mukaan

1. Paina "Time Defrost" kerran, näytöllä näkyy "dEF2".
2. Paina "+" tai "-" kypsennysajan valitsemiseksi. Enimmäisaika on 95 minuuttia.
3. Paina "Start/Confirm" näppäintä sulatuksen aloittamiseksi.



Kun sulatusajasta on kulunut puolet, uunin merkkiäni kuuluu kahdesti. Tämä on normaalia. Paremman sulatustuloksen saamiseksi käännä ruoka, sulje luukku ja paina "Start/Confirm" sulatuksen jatkamiseksi. Jos toimintoja ei suoriteta, uuni pysyy toiminnassa.

### 4.7 Monivaihekyypsennys

Enintään 2 vaihetta voidaan asettaa. Jos yksi vaiheista on sulatus, tulee se asettaa ensimmäiseksi vaiheeksi automaattisesti. Äänimerkki kuuluu jokaisen vaiheen jälkeen ja seuraava vaihe käynnistyy.



Auto-valikkoa ja pikakypsennystä ei voida asettaa monivaihetoiminnon osaksi.



**Esimerkki:** Jos haluat sulattaa ruokaa viiden minuutin ajan ja kypsentää sitä sen jälkeen 80 %:n mikroaaltouuniteholla seitsemän minuutin ajan, Noudata seuraavia ohjeita.

1. Paina "Time Defrost" kerran, näytöllä näkyy "dEF2".
2. Paina "+" tai "-" 5 minuutin sulatusajan asettamiseksi.
3. Paina "Microwave" kerran, näytöllä näkyy "P100".
4. Paina "Microwave" toistuvasti, kunnes teho "P80" näytetään.
5. Vahvasta painamalla "Start/Confirm".
6. Paina "+" tai "-" 7 minuutin kypsennysajan asettamiseksi.
7. Paina "Start/Confirm" kypsennyksen aloittamiseksi.

### 4.8 Keittiöajastin (laskuri)

Uuni on varustettu automaattisella laskurilla, joka ei ole liitetty uunin toimintoihin ja sitä voidaan käyttää erikseen keittiössä (se voidaan asettaa maks. 95 minuuttiin).

1. Paina "Timer/Clock" kerran, näytöllä näkyy "00:00".
2. Paina "+" tai "-" ajastimen asettamiseksi. (Maksimikypsennysaika on 95 minuuttia)
3. Vahvasta asetus painamalla "Start/Confirm" asetus.
4. Kun aikalasku syötetystä ajasta saavuttaa 00:00, summeri kuuluu 5 kertaa. Jos aika on asetettu (24-tunnin järjestelmä), nykyinen aika näytetään LED-näytöllä.

## 4 Käyttö



Keittiöajastimen toiminnot eroavat 24-tunnin järjestelmästä. Keittiöajastin on pelkkä ajastin.

### 4.9 Auto-valikko

1. Paina odotustilassa "+" toistuvasti valikon valitsemiseksi.
2. Vahvista valikko painamalla "Start/Confirm".
3. Paina "+" tai "-" ruoan painon valitsemiseksi.
4. Paina "Start/Confirm" kypsennyksen aloittamiseksi.

#### Valikon taulukko

Näyttöruutu	Valikko	Paino	Teho
A 1	Pizza	200 g	C-2
		400 g	
A 2	Liha	250 g	100 %(Mik.)
		350 g	
		450 g	
A 3	Vihannekset	200 g	100 %(Mik.)
		300 g	
		400 g	
A 4	Pasta	50 g (ja 450 g kylmää vettä)	80%(Mik.)
		100 g (ja 800g kylmää vettä)	
A 5	Perunat	200 g	100 %(Mik.)
		400 g	
		600 g	

A 6	Kala	250 g	80%(Mik.)
		350 g	
		450 g	
A 7	Juomat	1 kuppi (n. 120 ml)	100 %(Mik.)
		2 kuppia (n. 240 ml)	
		3 kuppia (n. 360 ml)	
A 8	Popcorn	50 g	100 %(Mik.)
		100 g	

### 4.1. Pikakypsennys

1. Paina odotustilassa "Start/Confirm" näppäintä kypsentämiseksi 100 % tehotasolla 30 sekuntia. Kun samaa painiketta painetaan toistuvasti, aika kasvaa 30 sekuntia. Maksimikypsennysaika on 95 minuuttia.
2. Mikroaalto-, grilli-, yhdistelmäkypsennys- ja sulatus ajan mukaan toiminnossa, paina "Start/Confirm" kypsennysajan lisäämiseksi.
3. Auto-valikko ja sulatus painon mukaan, kypsennysaikaa ei voida lisätä painamalla "Start/Confirm".
4. Paina odotustilassa "-" kypsennysajan valitsemiseksi. Kun kypsennysaika on asetettu, paina "Start/Confirm" mikroaaltokypsennyksen aloittamiseksi 100 % tehotasolla.

### 4.11 Toiminnon pyytäminen

1. Mikroaalto-, grilli- tai yhdistelmäkypsennystilassa. Paina "Microwave" tai "Grill+Microwave", nykyinen teho näytetään 3 sekuntia.

2. Jos kello on asetettu, paina kypsennystilassa "Timer/Clock" nykyisen ajan näyttämiseksi. Se näytetään 3 sekuntia.

#### 4.12 Lapsilukko

1. **Lukitus:** Paina odotustilassa "Stop/Clear" 3 sekuntia lapsilukkotilan asettamiseksi ja nykyinen aika näytetään, jos aika on asetettu, muutoin näytöllä näkyy "E:--E".

2. **Lukituksesta poistuminen:** Lukitussa tilassa, paina "Stop/Clear" 3 sekuntia, lukitus poistetaan.

#### 4.13 Määritykset

1. Jos luukku avataan kypsennyksen aikana, sulje luukku ja paina sitten "Start/Confirm" kypsennyksen jatkamiseksi.

2. Kun kypsennysohjelma on asetettu, "Start/Confirm" ei paineta 1 minuutin kuluessa. Nykyinen aika näytetään. Asetus peruuntuu.

3. Äänimerkki kuuluu, jos painiketta painetaan kunnolla, muutoin sillä ei ole mitään vaikutusta.

#### 4.14 Uuninluukun avaaminen

Paina "Avaa luukku" painiketta ja uuninluukku avautuu.

## 5.1 Puhdistaminen



**VAROITUS:** Älä koskaan käytä bensiiniä, liuotainaineita, hankaavia puhdistusaineita, metalliesiineitä tai kovia harjoja laitteen puhdistamiseen.



**VAROITUS:** Älä upota laitetta tai sen verkkojohtoa veteen tai muuhun nesteeseen.

1. Sammuta laite ja irrota sen verkkojohto pistorasiasta.
2. Anna laitteen jäähtyä kokonaan.
3. Pidä uunin sisäpuoli puhtaana. Pyyhi sisäpuoli kostealla liinalla, jos uunin seiniin on jäänyt kiinni ruokaa tai roiskuneita nesteitä. Voit käyttää mietoa pesuainetta laitteen puhdistamiseen, jos uuni on erittäin likainen. Vältä käyttämästä suihkeita tai muita puhdistusaineita, sillä ne voivat aiheuttaa ylimääräisiä tahroja tai jälkiä ja uunin luukun pinnan samentumista.
4. Uunin ulkopinnat tulee puhdistaa kostealla liinalla. Älä anna veden päästä sisään laitteen tuuletusaukoista, jotta uunin toimivat osat eivät vaurioituisi.
5. Pyyhi uunin luukku ja lasi molemmilta puolilta, sekä luukun tiivisteet ja alueet tiivisteiden ympäriltä säännöllisesti kostealla liinalla poistaaksesi ylivuotaneet tai roiskuneet tahrat. Älä käytä hankaavia puhdistusaineita.
6. Älä anna ohjauspaneelin kastua. Puhdista laite pehmeällä, kostealla liinalla. Jätä uunin luukku auki estääksesi sen tahattoman päällekytkemisen, kun puhdistat ohjauspaneelia.
7. Jos höyryä kertyy uunin luukun sisäpuolelle tai sen ympärille, pyyhi kostealla liinalla. Näin voi tapahtua, jos mikroaaltouunia käytetään hyvin kosteassa ympäristössä. Tämä on normaalia.
8. Lasinen alusta on irrotettava silloin tällöin puhdistamista varten. Pese alusta lämpimällä saippuavedellä tai laittamalla se astianpesukoneeseen.
9. Pyörivä rengas ja uunin pohja tulee puhdistaa säännöllisesti, jotta laite ei aiheuttaisi ylimääräistä ääntä. Uunin alapinnan puhdistamiseksi riittää pyyhkiminen miedolla pesuaineliuksella. Pyörivä rengas voidaan pestä lämpimällä saippuavedellä tai laittamalla se astianpesukoneeseen. Kun irrotat pyörivän renkaan uunista sisäpohjasta puhdistamista varten, varmista että asetat sen oikeaan asentoon, laittaessasi sitä takaisin.
10. Poistaaksesi pahat hajut mikroaaltouunista, laita lasi vettä ja sitruunamehua sekä sitruunan kuori uuniin käyttäen syvää kulhoa, ja käytä uunia 5 minuuttia mikroaaltotilassa. Pyyhi sitten kuivaksi läpikotaisin käyttäen pehmeää liinaa.
11. Ota yhteys valtuutettuun huoltoon, uunin lampun vaihtamiseksi.

12. Mikroaaltouuni on puhdistettava säännöllisesti, ja sen sisälle kertyneet ruokajäämät on poistettava. Jos uunia ei puhdisteta säännöllisesti, tämä voi aiheuttaa pintavaurioita jotka vaikuttavat laitteen käyttöikään haitallisesti, ja voivat aiheuttaa vaaran.
13. Älä hävitä laitetta tavanomaisen kotitalousjätteen mukana: vanhat uunit tulee toimittaa kunnallisiin jätehuoltokeskuksiin.
14. Kun mikroaaltouunia käytetään yhdessä grillaustoiminnon kanssa, laitteen sisään voi muodostua hieman savua ja käryä jotka häviävät hetken kuluttua.
15. Kun mikroaaltouunia grillitoiminnolla käytetään ensimmäisen kerran, voi siitä muodostua hieman savua ja hajua. Tämä on normaalia, koska uuni on valmistettu voiteluöljyllä pinnoitetusta teräslevystä, ja uusi uuni tuottaa savua ja hajuja, johtuen voiteluöljyn palamisesta. Tämä katoaa lyhyen käyttöajan jälkeen.

## 5.2 Säilytys

- Jos et aio käyttää laitetta pitkään aikaan, säilytä sitä huolellisesti.
- Varmista, että laite on irrotettu pistorasiasta, jäähtynyt ja täysin kuiva.
- Säilytä laitetta viileässä, kuivassa paikassa.
- Pidä laite poissa lasten ulottuvilta.

## 5.3 Kuljetus ja käsittely

- Säilytä laitetta alkuperäisessä pakkauksessaan kuljetuksen ja käsittelyn aikana. Pakkaus suojaa laitetta fyysisiltä vahingoilta.
- Älä aseta raskaita kuormia laitteen tai pakkauksen päälle. Muuten laite voi vaurioitua.
- Laitteen pudottaminen voi tehdä sen toimimattomaksi tai aiheuttaa pysyviä vaurioita.

Vika	Mahdollinen syy	Ratkaisu
Uuni ei käynnisty.	1) Verkkojohtoa ei ole liitetty oikein.	Irrota verkkojohto seinästä. Liitä se sitten uudelleen 10 sekunnin kuluttua.
	2) Sulake on palanut tai laitteen elektroninen suojapiiri on kytkeytynyt päälle.	Vaihda sulake tai nollaa elektroninen suojapiiri (valtuutetun huoltokeskuksen toimesta).
	3) Pistoke ei toimi.	Kokeile pistorasiaa muiden sähkölaitteiden kanssa.
Uuni ei kypsennä ruokaa.	4) Luukku ei ole suljettu oikein.	Sulje luukku huolellisesti.
Jos mikään yllä esitetty ei korjaa ongelmaa, ota yhteys valtuutettuun huoltoteknikkoon. Älä yritä säätää tai korjata uunia itse.		

## NO

**Service:** Kontakt butikken der du kjøpte produktet så de kan henvise deg til lokal service

**Oppgi:** Produkttype, Serienummer, Kjøpsdato, Problem-beskrivelse, Navn og adresse, Telefonnummer

## SE

**Service:** Vi har service i hela Sverige. Besök [www.cylinda.se](http://www.cylinda.se)  
Ring 0771-25 25 00  
(endast lokaltaxa)

**Uppge:** Maskintyp, serienummer, inköpsdatum, problembeskrivning, namn och adress, ditt telefonnummer

**Kontakta oss:**  
[www.cylinda.se](http://www.cylinda.se)

## DK

**Service:** Kontakt butikken hvor købet blev foretaget og få info om service kontakt

**Nødvendig information:** Model navn, Serienummer (står på typeskiltet), Kjøpsdato, Beskrivelse af problemet, Navn og adresse, Telefonnummer

## UK

**Service:** Nationwide service in Sweden  
Visit [www.cylinda.se](http://www.cylinda.se)  
Call 0771-25 25 00

**Declare:** Model code, Serial number, Purchase date, Problem description, Name and address, Phone number

**Contact us:**  
[www.cylinda.se](http://www.cylinda.se)

## FI

**Huolto:** Ota yhteyttä myymälään, josta ostit tuotteen, niin saat lisätietoja lähimmästä huoltoliikkeestä

**Tarvittavat tiedot:** Mallinnumero, Sarjanumero, Ostopäivä, Ongelman kuvaus, Nimi ja osoite, Puhelinnumero